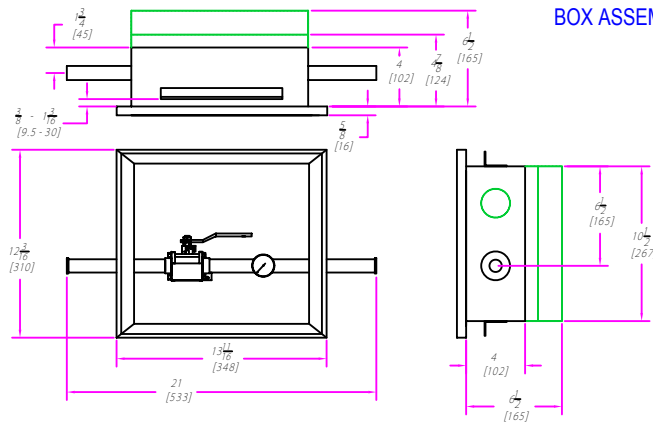
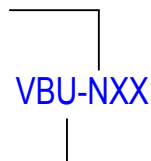


**SINGLE ZONE VALVE
BOX ASSEMBLY**



MODEL NUMBERS:

N=Non Monitoring
M=Monitoring(with gauge)



U=English (USA Colors)
E=English (ISO Colors)
F=French (ISO Color)
S=Spanish(ISO Colors)

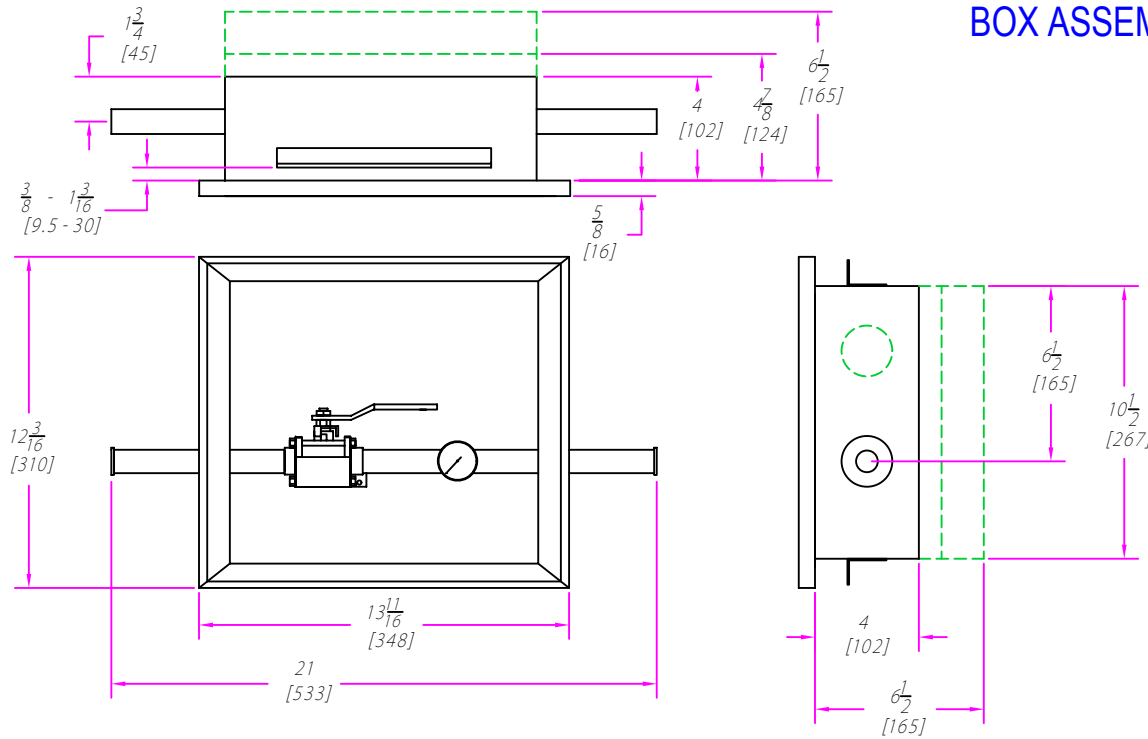
Replace XX with the following to indicate the size(s) of the Valve required.

1/2"	=05
3/4"	=07
1"	=10
1 - 1/4"	=12
1 - 1/2"	=15
2"	=20
2 - 1/2"	=25

NOTE:

- 1.The 2" full port valve comes in a 4-7/8" deep box.
- 3.The 2-1/2" in a 6-1/2" deep box.

SINGLE ZONE VALVE BOX ASSEMBLY



MODEL NUMBERS:

N=Non Monitoring

M=Monitoring(with gauge)

VBU-NXX

U=English (USA Colors)

E=English (ISO Colors)

F=French (ISO Color)

S=Spanish(ISO Colors)

Replace XX with the following to indicate the size(s) of the Valve required.

1/2"	=05
3/4"	=07
1"	=10
1 - 1/4"	=12
1 - 1/2"	=15
2"	=20
2 - 1/2"	=25

NOTE:

- 1.The 2" full port valve comes in a 4 - 7/8" deep box.
- 3.The 2 - 1/2" in a 6 - 1/2" deep box.

Amico

85 Fulton Way
Richmond Hill, Ontario
L4B 2N4, CANADA

Tel: (905) 764 - 0800
Fax: (905) 764 - 0862

www.amico.com