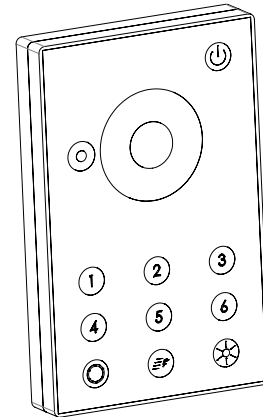


## Product Description

The RGB Wall Mounted Touch Controller is a standalone DMX512 controller designed for use with LED luminaires. With the RGB Wall Mounted Touch Controller you can select from six pre-set colors, select the color of your choice, or select from six dynamic sequences (Programs). In addition, there are six brightness presets for each color or program and six speed levels for the program's color-changing light shows. The toggle wheel lets you seamlessly select a custom color or brightness. The custom color can be stored in one of the six memory presets.



| Mechanical         |         |                               |         |       |
|--------------------|---------|-------------------------------|---------|-------|
|                    | Minimum | Typical                       | Maximum | Units |
| Overall Dimensions | -       | 4.7 x 3 x 0.6                 | -       | in    |
| Housing            | -       | Polycarbonate Glass Faceplate | -       | -     |
| Mounting           | -       | Mounts to single-gang j-box   | -       | -     |
| Fixture Weight     | -       | -                             | 6       | oz.   |

| Electrical        |         |         |         |       |
|-------------------|---------|---------|---------|-------|
|                   | Minimum | Typical | Maximum | Units |
| Input Voltage     | 12      | -       | 24      | Vdc   |
| Power Consumption | -       | 1.2     | -       | W     |

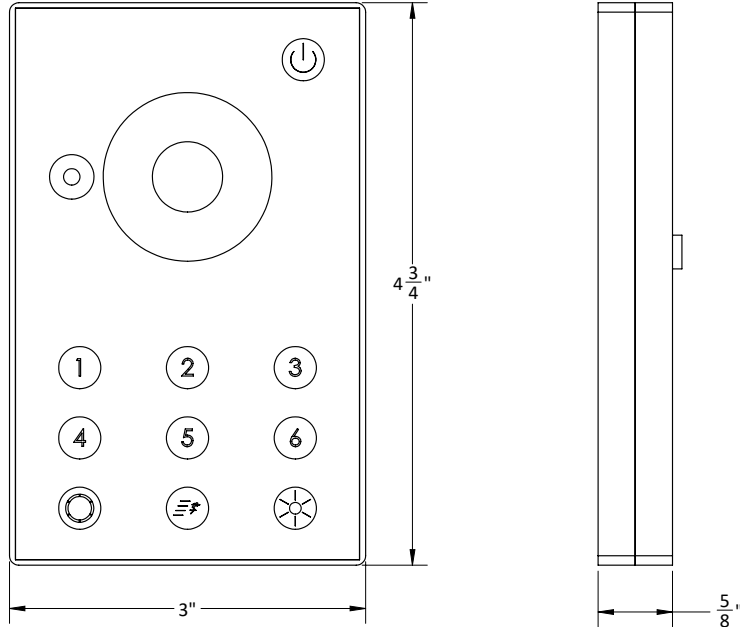
| Compliance           |         |         |         |  |
|----------------------|---------|---------|---------|--|
|                      | Minimum | Typical | Maximum | Units                                  |
| Regulatory Safety    | -       | Listed  | -       | ETL, FCC, Class B, CE, C-Tick, CB, SAA |
| Environmental Safety | -       | IP20    | -       | -                                      |

| Environmental         |         |         |         |       |
|-----------------------|---------|---------|---------|-------|
|                       | Minimum | Typical | Maximum | Units |
| Storage Temperature   | -20     | -       | 70      | C     |
| Operating Temperature | 0       | -       | 35      | C     |
| Warranty              | 1       | -       | -       | Years |

### Ordering Information

| Part Number | Notes                   |
|-------------|-------------------------|
| 3-23-000607 | Wall Mounted Controller |

### Mechanical Dimensions\*



*\*For informational purposes only. Content subject to change.*