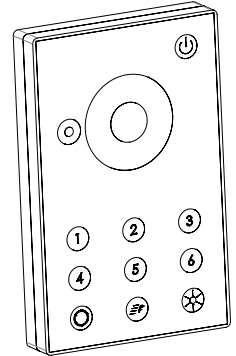


## Important Safety Instructions

When using electrical equipment, basic safety precautions should always be followed including the following:

### Read And Follow All Safety Instructions

1. **Warning:** This product must be installed in accordance with the NEC or your local electrical code. If you are not familiar with these codes and requirements, consult a qualified electrician. *Attention: Ce produit doit être installé conformément au NEC ou à votre code électrique local. Si vous n'êtes pas familier avec ces codes et exigences, consultez un électricien qualifié.*
2. **Warning:** This equipment is not for use in hazardous combustible atmospheres as defined by the National Electrical Code. *Avertissement: Cet équipement ne doit pas être utilisé dans des atmosphères combustibles dangereuses telles que définies par le National Electrical Code.*
3. **Danger:** Risk of shock - Disconnect power before installation. *Danger: Risque de choc – Couper l'alimentation avant l'installation.*



## Save These Instructions For Future Reference

### Installation:

Diagram 1

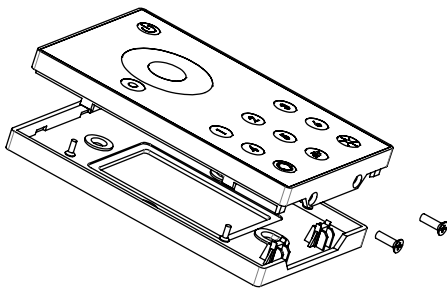
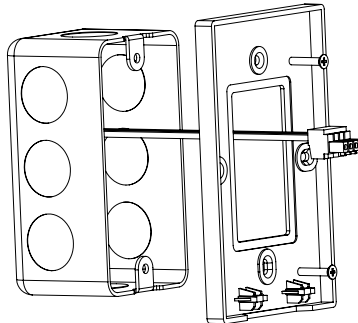


Diagram 2



**Step 1:**

Turn off the main power supply.

**Step 2:**

Remove the faceplate by removing the two screws as shown in **Diagram 1**.

**Step 3:**

Attach the backplate to the installed junction box as shown in **Diagram 2**.

**Step 4:**

Connect the plug as shown in **Diagram 3**.

Diagram 3

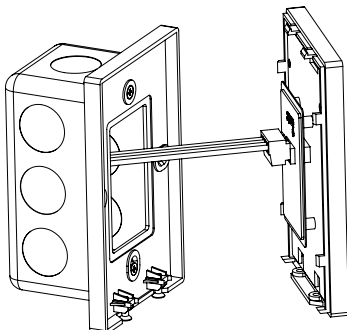
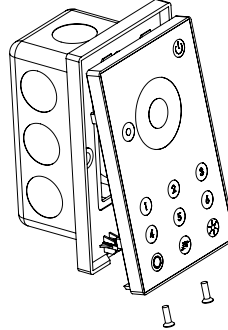


Diagram 4



**Step 5:**

Attach the faceplate as shown in **Diagram 4**.

**Step 6:**

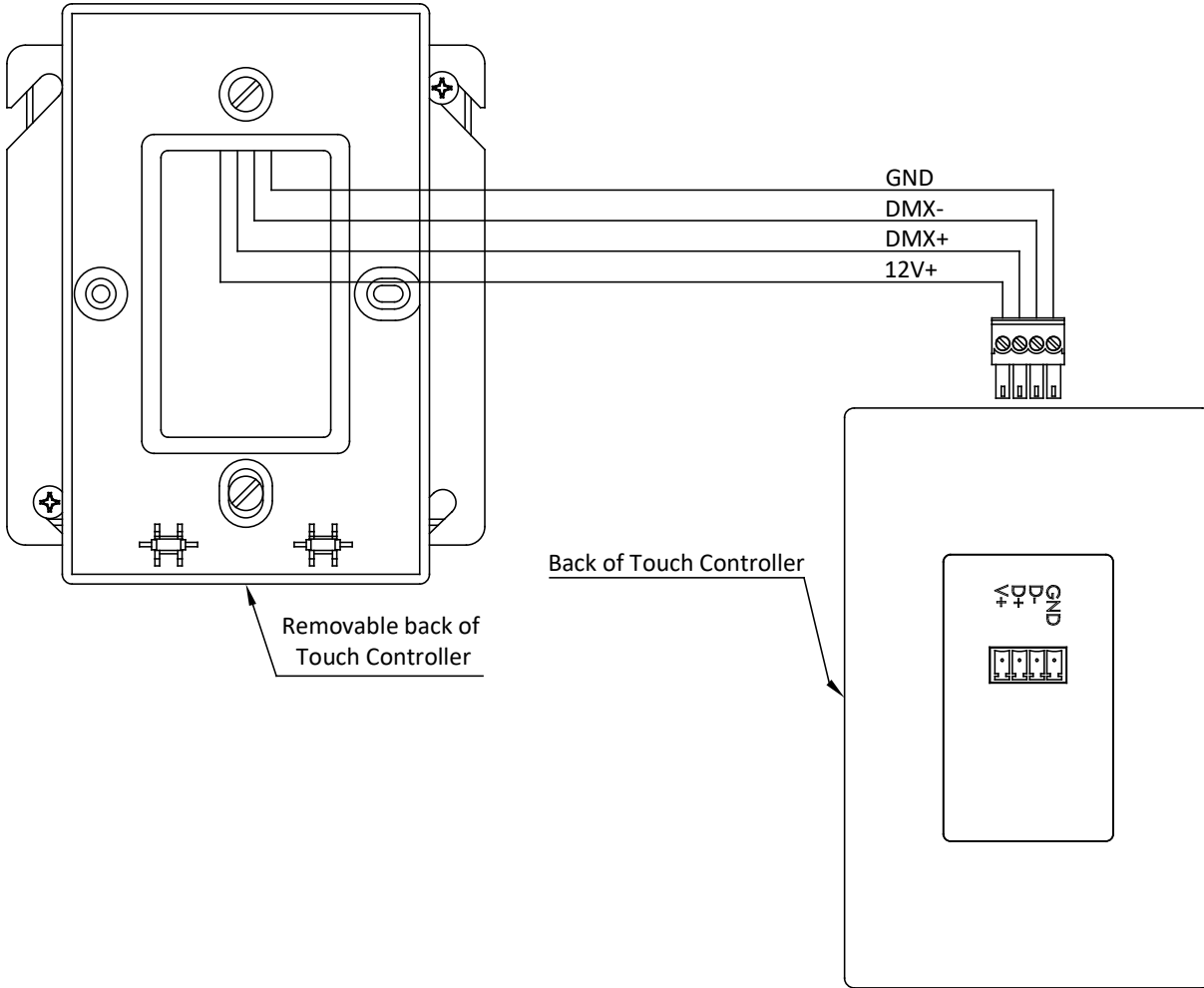
Complete the electrical connections as shown in the **Electrical Connections Section**.

## Electrical Connections

### Step 1:

Make the following connections as shown in **Diagram 5**.

Diagram 5



#### Directive 2012/19/EU (WEEE - Waste Electrical and Electronic Equipment): Information for Users

This product complies with EU Directive 2012/19/EU. The crossed out wheeled bin symbol on the article means that at the end of its useful lifespan, this product must not be disposed of with your other household or municipal waste. This product has required the extraction and use of natural resources for its production. It may contain hazardous substances that could impact health and the environment if not properly disposed. In order to avoid dissemination of those substances in our environment and to diminish the pressure on the natural resources, the user is responsible for delivering the appliance to an appropriate collection facility at the end of its useful lifespan. The separate collection and recycling of your waste equipment at the time of disposal will help conserve natural resources and ensure that it is recycled in a manner that protects human health and the environment. For more information on available collection facilities contact your local waste collection service or the place of purchase.

For informational purposes only. Content is subject to change.