

Medical Hose Retractor



General Specifications:

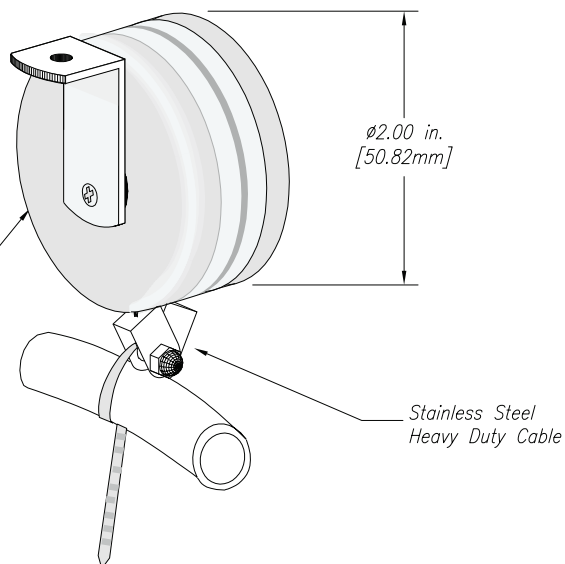
The Hose Retractor shall be an Amico Alert-1 series.

The Hose Retractor can be attached directly to a ceiling outlet or directly to the ceiling. The retractor wire is manufactured out of 48" stainless steel heavy duty cable (not MRI compatible).

Technical Specifications

*Stainless Steel
Bracket (to Ceiling)*

*Chrome Plated
Metal Casing*



*Stainless Steel
Heavy Duty Cable*

Model Numbers

S-HOSE-RET-HD