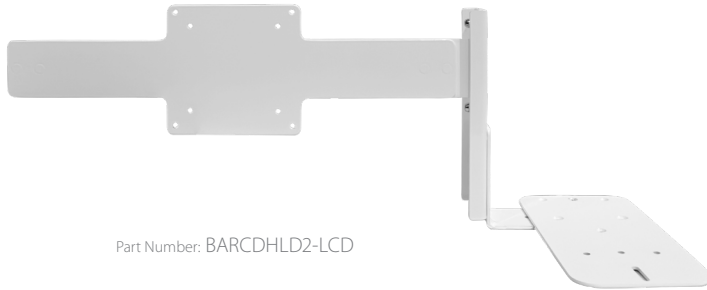


# Barcode Dock Mounts



Part Number: BARCDHLD2-M



Part Number: BARCDHLD2-LCD

## Compatible with

- Code Reader CR2600 and other scanners using the CRA-A101/A104 charging base
- Honeywell 3820, 4620, 4820, 5620 and other scanners using the Honeywell 2020 charging base
- Honeywell Xenon 19xx series and other scanners using the CCB01-010BT charging base
- Honeywell Granit 19xx series and other scanners using the CCB02-100BT charging base
- Motorola Li4278, Symbol LS4278 and other chargers using the STB4208-C000-7R, STB4208-C0001R or STB4208-C0001WR charging base

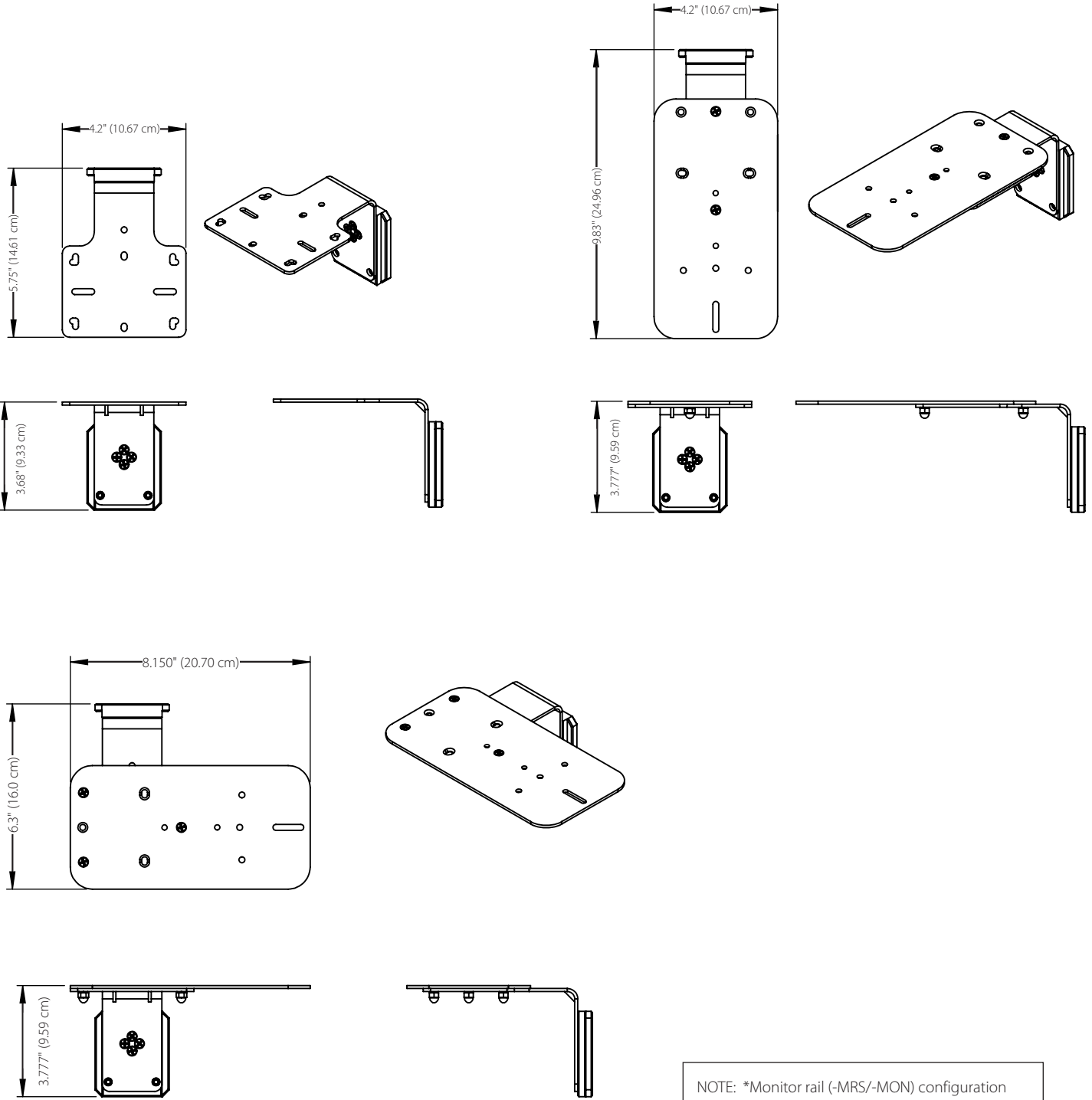
## Features

- Rail mounting or LCD VESA plate mounting options available
- Compatible with a variety of barcode scanner and charger bases
- Supported barcode scanner bases can be mounted in different orientations
- Expansion plate for additional width support included
- Compatible with two (2) cradle styles: upright (vertical) or horizontal

## Specifications

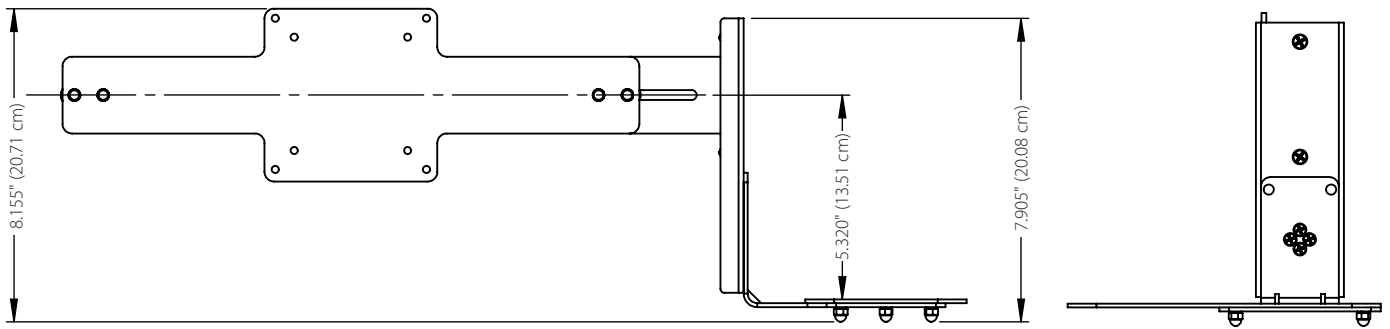
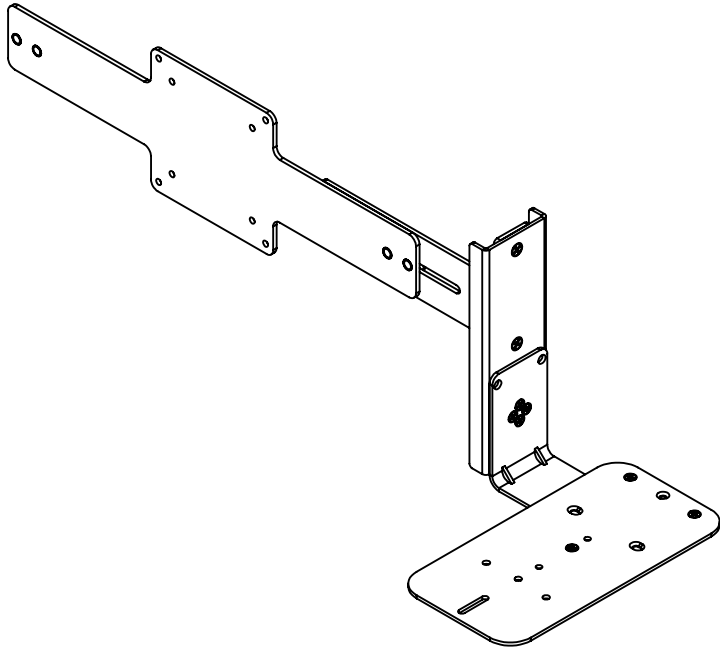
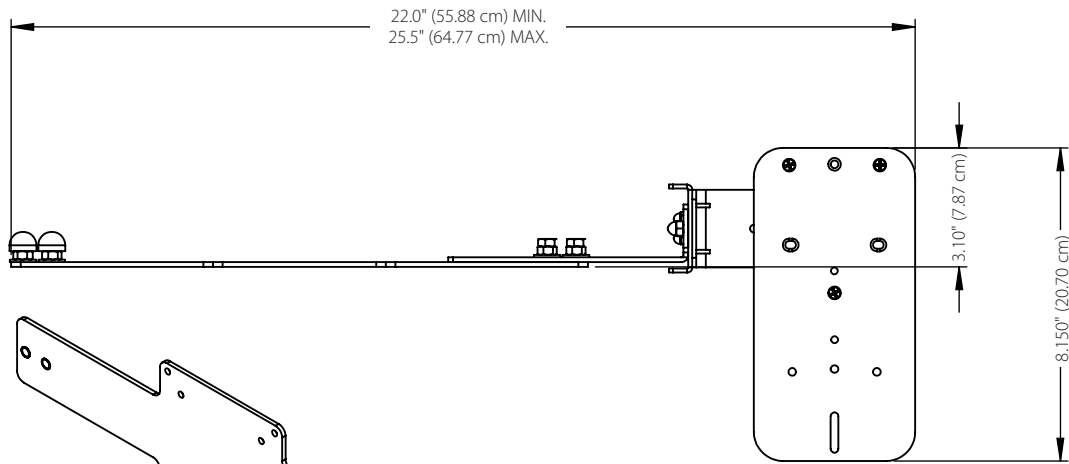
- 3.2" x 4.2" (8.13 cm x 10.67 cm) (L x W)
- 8.15" x 4.2" (20.70 cm x 10.67 cm) optional plate (L x W)
- Slots for use with four (4) M4 screws

# Technical Drawings



NOTE: \*Monitor rail (-MRS/-MON) configuration shown above.


# Technical Drawings



NOTE: \*LCD (-LCD) configuration shown above.

# Accessories


## Power **Bar**



- Hospital grade, 4 power outlets
- 120 VAC, 60Hz

Part Number: PWRBAR4-MON


## Power **Holder**



- Holds most power adapters for PCs, patient monitors and LCDs

Part Number: PWRHLD-MON


## Cord **Wrap**



- Ideal for Managing wires and cords

Part Number: CORDWRAP


## LCD **Handle**



- Ergonomic handles can be added to any Amico LCD mount
- Knuckle guard protects walls and user's hands
- Weight: 4.3 lbs (1.9 kg)

Part Number: MON-LCD-HANDLE


## Monitor **Channel**



- Standard wall channel 34" (48.3 cm)
- Seismic options are available and custom lengths are welcome

Part Number: MRS-S034

## Channel **Covers**



- Easy way to hide wires
- Available in patterns and colors to match any decor

Call for part number.


## Wire **Baskets**



<p>10" W x 06" D x 09" H (25.4 cm x 15.24 cm x 22.86 cm) White wire basket Part No: 100609-MON-BB</p>	<p>13" W x 09" D x 07" H (33.02 cm x 22.86 cm x 17.78 cm) BP cuff basket Part No: CUFBASK-MON</p>
---	---




All baskets can be sterilized

## Printer **Mounts**



- Mounts most portable printers to conveniently print at the bedside

## CPU **Mounts**

<ul style="list-style-type: none"> <li>• Available Sizes:</li> <li>1.5" - 3" (3.81 cm - 7.62 cm) Part No: CPUMNT1-MON</li> <li>1.5" - 7" (3.81 cm - 17.78 cm) Part No: CPUMNTA-MON</li> <li>7" - 9.5" (17.78 cm - 24.13 cm) Part No: CPUMNT4-MON</li> </ul>	 <ul style="list-style-type: none"> <li>• Thin client mount behind LCD</li> <li>10" x 10" x 1.75" (25.4 cm x 25.4 cm x 4.45 cm)</li> <li>10" x 10" x 3" (25.4 cm x 25.4 cm x 7.62 cm)</li> </ul>	 <ul style="list-style-type: none"> <li>• Enclosed CPU Mount</li> </ul>	 <ul style="list-style-type: none"> <li>• Tangent Rugged Mini mount</li> </ul>
---	---	---	---

NOTE: All dimensions are not exact.

Please visit [www.amico.com](http://www.amico.com) for all technical specifications, installation instructions, detailed AutoCAD drawings and more Mounting Solutions.



## Distributed By:

