



Magna 9 features a distinctive fully rotational 3-diopter magnifier lens for precise positioning. Plus three 9-Watt fluorescent bulbs provide two settings for adjusting the light output to 18 or 27 watts.

## Features:

**Connected Load:** 120 V; 60Hz

**Fitted With:** Approx. 2 m cordset

**Work Equipment:** Conventional ballast

**Mains Lead:** Approx. 9.8ft (3m); shock-proof plug

**Luminaire body Material:** Plastic

**Tubular Sections Material:** Steel Tube

**Surface:** Painted

**Weight (NET):** Approx. 9.9lbs (4.5kg)

**Fastening:**

- Table mount included for table mounted lights
- Rail mount included for rail mounted lights
- Wall mount included for wall mounted lights
- Floor stand included for floor stand light

**Technology:** Multi-Stage Switchable

**Usage:** Switch

**Lamp Cover:** Screen; Milky

**Class Of Protection:** I

**Color Luminaire Body:** Light grey

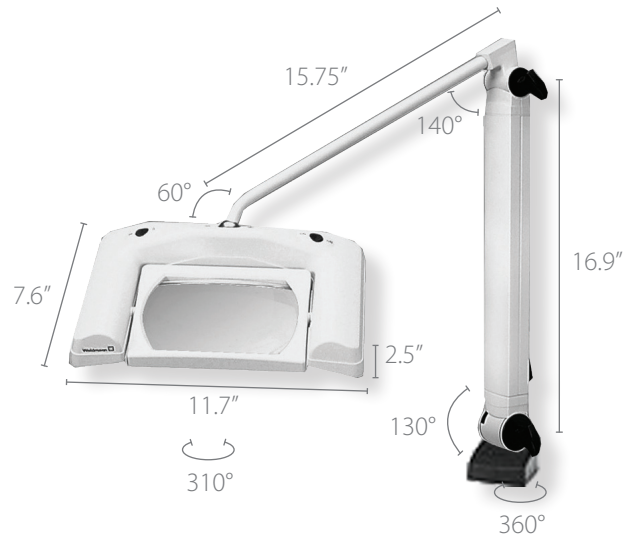
**Color Of Tubular Sections:** Light grey

**Lens; Dimensions:** 162 x 105

**Lens; Diopters:** 3

**Special Features:** Light output controlled with 2-way switch

# Dimensions



## Model Examples

<b>L-MA09-AB-RV-F</b>	Magna 9, Articulating Arm, Basic, Rail Mount, Vertical, Fairfield Rail
<b>L-MA09-AB-W</b>	Magna 9, Articulating Arm, Basic, Wall Mount
<b>L-MA09-AE-F</b>	Magna 9, Articulating Arm with Extension, Floor Stand
<b>L-MA09-AE-T</b>	Magna 9, Articulating Arm with Extension, Table Mount

**NOTE:** North American: 120 V; International: 230 V

## Ordering Guide

