

LightMaster Multifunction Dimming Switch

Description:

Whether it be a single fixture or multiple fixtures, the LightMaster Multifunction Switch has made it easy to control the various types of lights that are required in the patient room. Using only a single gang space, the LightMaster keypad is low voltage and uses a mylar overlay for durability, patient safety and infection control.

Features of the Keypad:

- Controls up to five (5) light functions in the patient room
- Backlit icons identify which light function is in use
- Dimming indicator allows you to set the light at the desired level
- Keypads are low voltage for patient safety
- Compact design fits into a single gang opening
- Mylar overlay for ease of cleaning and infection control
- Compatible with all manufactured nurse call products

Features of the Master Controller:

- Capable of individual control of up to five (5) circuit loads
- Universal input voltage of 120 – 277 Volts
- Terminal blocks allow for ease of connection
- Compact design fits inside most light fixtures
- 0 - 10 dimming capability when used with dimming drivers/ballasts
- Available with secondary power control unit



Specifications:

Input Voltage: 120 - 277 Volts, 50/60Hz

Output Voltage: 120 - 277 Volts, 50/60Hz

Maximum Load: 2.5 Amps Resistive, 1.8 Amps Ballast at 120 Volts, 0.975 Amps Resistive, 1.0 Amp Ballast at 277 Volts

Low Voltage Circuit: 5VDC, 200 mA

Operating Temperature: 32 - 176°F / 0 - 80°C

Master Control Dimensions: L 8" x W 2.6" x H 1.25"

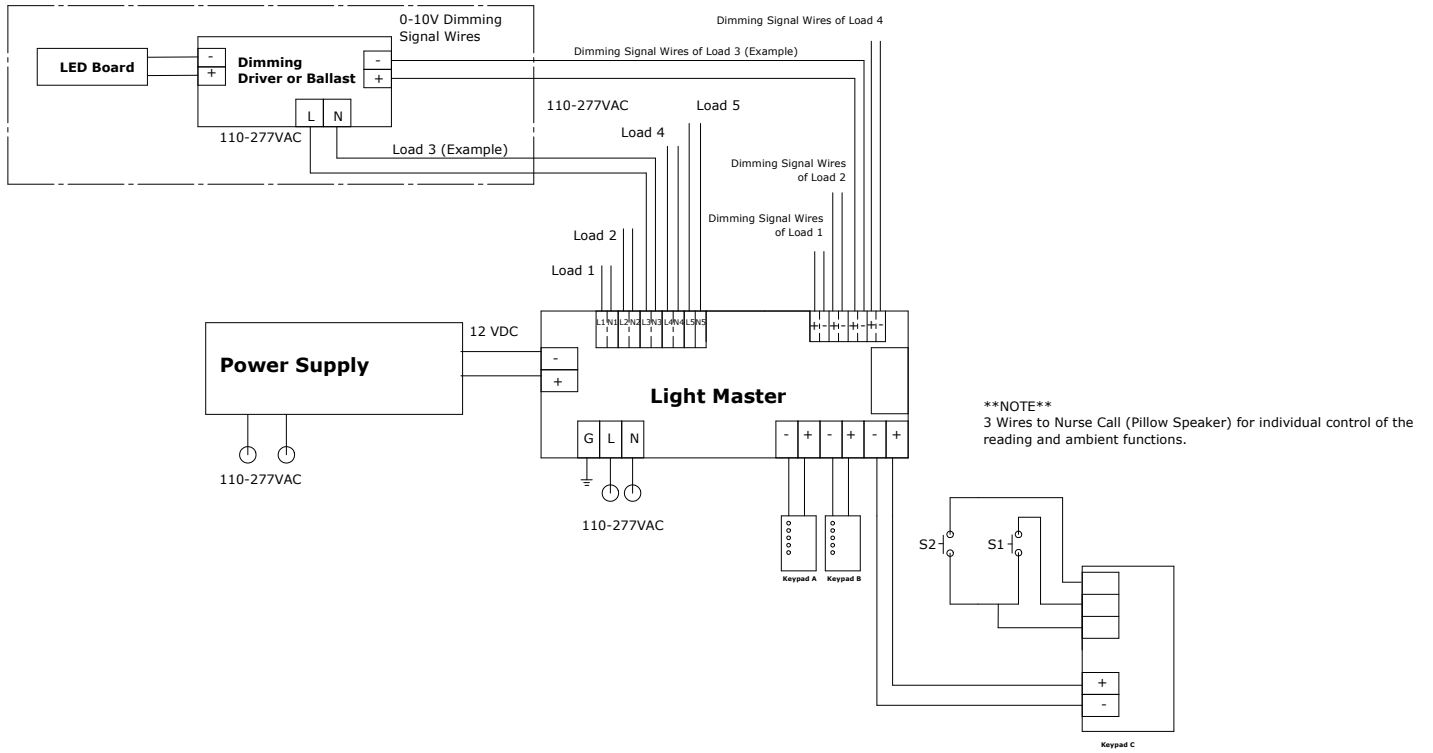
Secondary Control Dimensions: L 4.5" x W 2.6" x H 1.25"

Keypad Dimensions: One (1) Gang

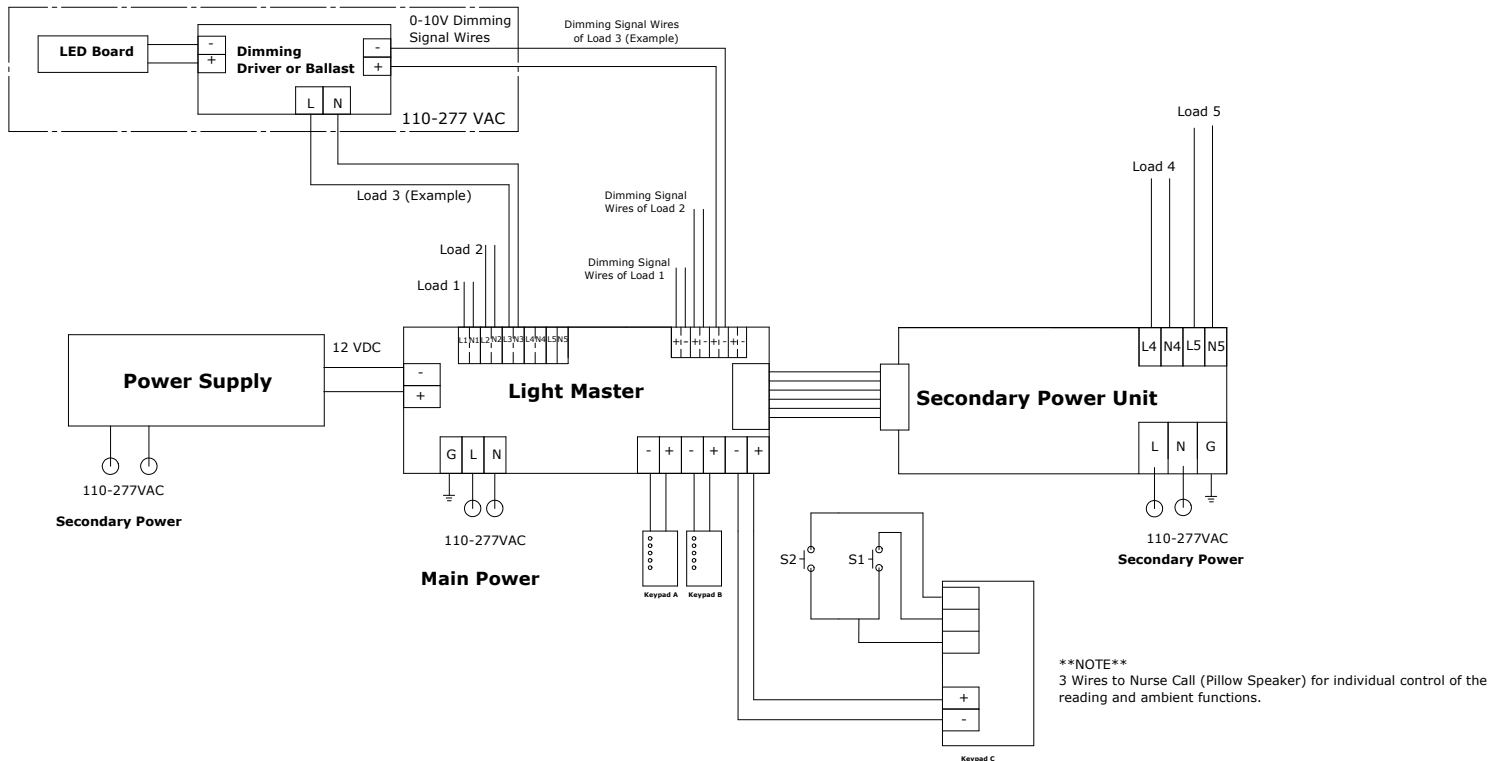
Warranty: Limited five (5) year warranty.

Diagrams:

Wiring Diagram A - LightMaster System



Wiring Diagram B - LightMaster System with Secondary Power Unit



Ordering Guide:

L-LMGEN2 -



For Example: L-LMGEN2-S2-4C-D-SU

Gen 2 LightMaster, Dual Keypad, 4 Function, Reading, Ambient, Exam, Chart Light, Dimming, Secondary power unit.

Ordering Information:

Series	Keypad	Light Functions	Dimming	Options
L-LMGEN2	S1 One keypad	3Z Three function switch (reading, ambient, exam)	D Dimming	SU Secondary power unit
	S2 Two keypads	4N Four function switch (reading, ambient, exam, night)	X Non-dimming	XX No extras
	S3 Three keypads	4C Four function switch (reading, ambient, exam, chart)		
		5B Five function switch (reading, ambient, exam, night & chart)		