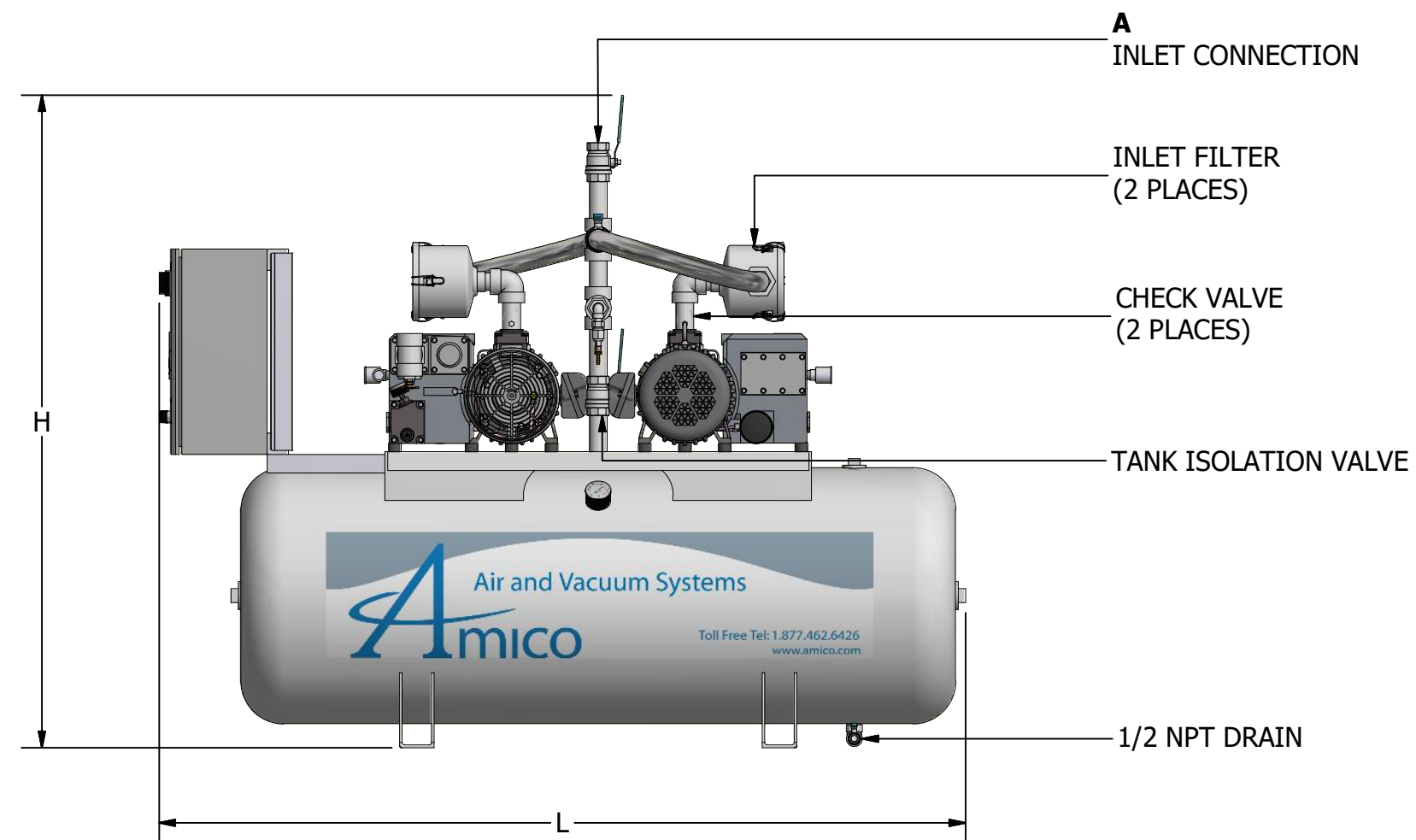
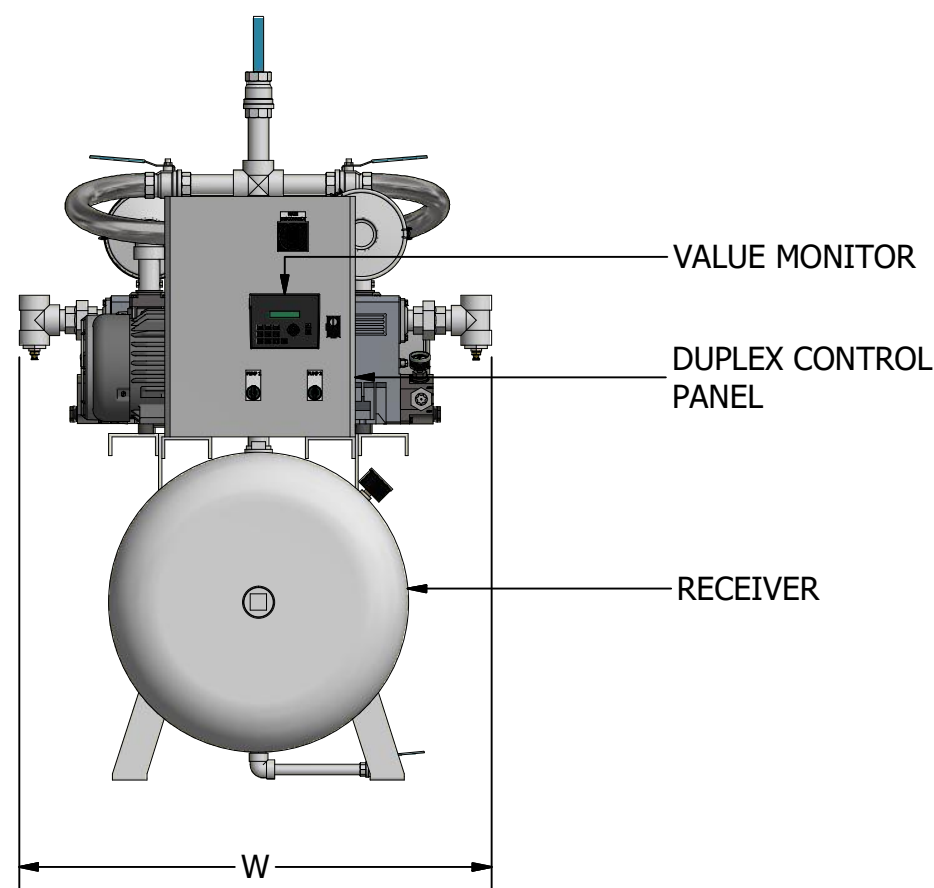
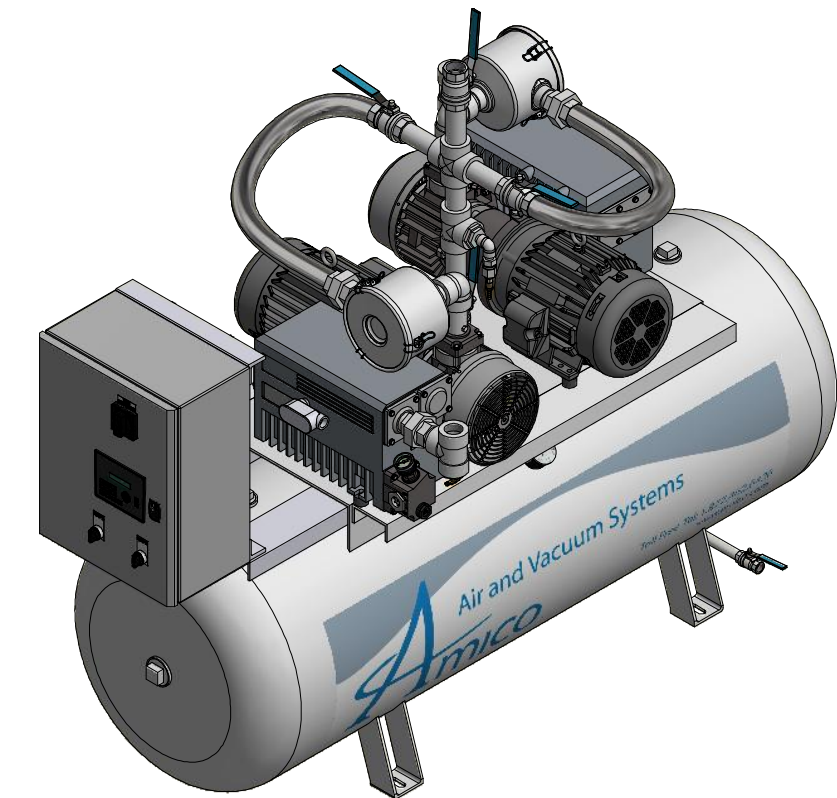
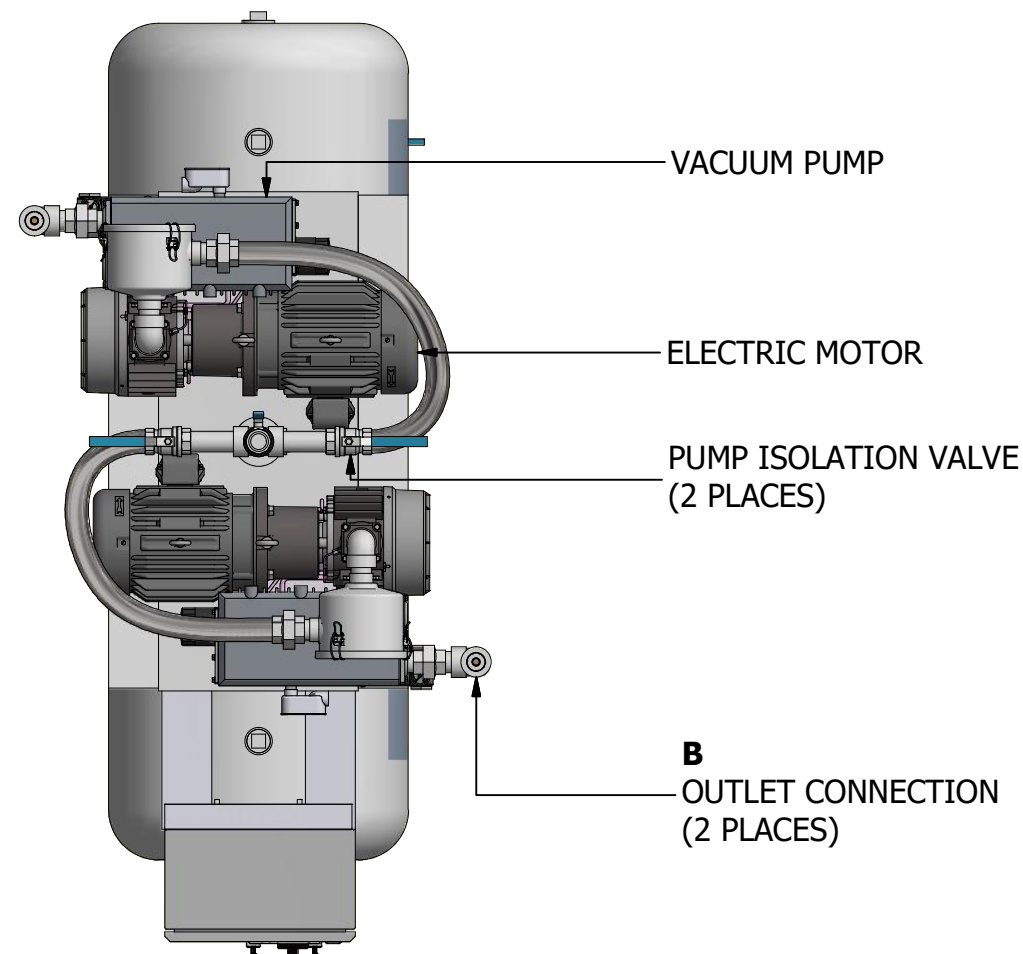


# LAB ROTARY VANE - LUBRICATED DUPLEX STACK MOUNTED VACUUM SYSTEM (1.0 HP - 10.0 HP)



DIMENSIONS SUBJECT TO CHANGE WITHOUT NOTICE

MODEL	HP (kW)	A INLET NPT	B OUTLET NPT	TANK SIZE GALLON (LITRE)	PUMP SCFM @ 19" HG (LPM)		NFPA SYSTEM CAPACITIES WITH ONE COMPRESSOR ON STANDBY @ 19" HG (LPM)		WEIGHT IN LBS (KG)	SQ. FT. REQUIRED (M <sup>2</sup> )	SYSTEM FLA (WITH ALL PUMPS RUNNING)				SYSTEM BTU/HR	SOUND LEVEL dB (A)	W (M)	L (M)	H (M)
					50 Hz Motor	60 Hz Motor	50 Hz Motor	60 Hz Motor			208V	230V	380V**	460V					
V-RVL-D-080P-TH-L-010*	1 (0.75)	0.75	0.75	80 (303)	4.0 (113)	4.8 (136)	8.0 (227)	9.6 (272)	701 (318)	14.6 (1.36)	-	9	5	5	5,088	69	28 (0.71)	75 (1.91)	60 (1.52)
V-RVL-D-080P-TH-L-015*	1.5 (1.12)	1.25	1.25	80 (303)	5.8 (164)	7.0 (198)	11.6 (328)	14.0 (396)	825 (374)	18.2 (1.70)	14	12	6	6	7,634	66	35 (0.89)	75 (1.91)	60 (1.52)
V-RVL-D-080P-TH-L-020*	2 (1.49)	1.25	1.25	80 (303)	9.2 (261)	11.0 (311)	18.4 (521)	22.0 (623)	853 (387)	18.2 (1.70)	16	14	7	7	10,178	69	35 (0.89)	75 (1.91)	60 (1.52)
V-RVL-D-120P-TH-L-030	3 (2.24)	1.25	1.25	120 (454)	14.2 (402)	17.0 (481)	28.4 (804)	34.0 (963)	957 (434)	20.8 (1.93)	23	20	10	10	15,266	69	40 (1.02)	75 (1.91)	60 (1.52)
V-RVL-D-120P-TH-L-050*	5 (3.73)	1.25	1.25	120 (454)	21.7 (614)	26.0 (736)	43.4 (1229)	52.0 (1472)	1128 (512)	23.9 (2.21)	37	32	15	16	25,444	71	43 (1.09)	80 (2.03)	65 (1.65)
V-RVL-D-120P-TH-L-052*	5 (3.73)	2.0	2.0	120 (454)	30.8 (872)	37.0 (1048)	61.6 (1744)	74.0 (2095)	1456 (660)	33.3 (3.09)	39	34	19	17	25,444	75	60 (1.52)	80 (2.03)	65 (1.65)
V-RVL-D-120P-TH-L-075*	7.5 (5.59)	2.0	2.0	120 (454)	43.3 (1226)	52.0 (1472)	86.6 (2452)	104.0 (2945)	1602 (727)	33.3 (3.09)	56	52	27	26	38,166	77	60 (1.52)	80 (2.03)	65 (1.65)
V-RVL-D-120P-TH-L-100*	10 (7.46)	2.0	2.0	120 (454)	54.2 (1535)	65.0 (1841)	108.4 (3070)	130.0 (3681)	1652 (749)	37.1 (3.45)	79	62	28	31	50,888	77	60 (1.52)	89 (2.26)	65 (1.65)
V-RVL-D-120P-TH-L-101*	10 (7.46)	2.0	2.0	120 (454)	64.2 (1818)	77.0 (2180)	128.4 (3636)	154.0 (4361)	1882 (854)	37.1 (3.45)	87	71	28	36	50,888	79	60 (1.52)	89 (2.26)	65 (1.65)

\*SYSTEM CONFIGURATION DIFFERS FROM MODEL SHOWN

\*\*380 VOLT DATA PROVIDED AT 50HZ  
ALL OTHER VOLTAGES ARE RATED AT 60 HZ

ADDITIONAL MODELS AVAILABLE UPON REQUEST



85 Fulton Way, Richmond Hill  
Ontario, L4B 2N4 Canada  
71 East Industry Court  
Deer Park, NY 11729  
Direct Tel: 905.764.0800  
Tel: 1.877.462.6426  
Fax: 1.866.440.4986