

Recessed Console

General Specifications:

The console unit shall be an Amico Alert-1 series.

The console unit has a removable front assembly for ease of mounting to the back box.

The console is supported by a galvanized steel bracket which shall be attached to the structural wall by means of four screws (not supplied by Amico).

The fascia front assembly is made from extruded, clear anodized aluminum with moulded plastic end caps, for a clean appearance. The back box is made from galvanized steel, 0.060" thick.

The medical gas piping terminates as capped ends 5" (127 mm) above the console back box.

All specified devices are factory installed in the console backbox. The electrical devices are separated by dividers, but they are not pre-wired.

NOTE: Exact dimensions are to be determined by the customer.

NOTE: A blank provision should be placed between Medical Gas Outlets and Vacuum Bottle Slide Holders and between 2 communication devices.

The Console is UL Listed to U.S. and Canadian safety standards.

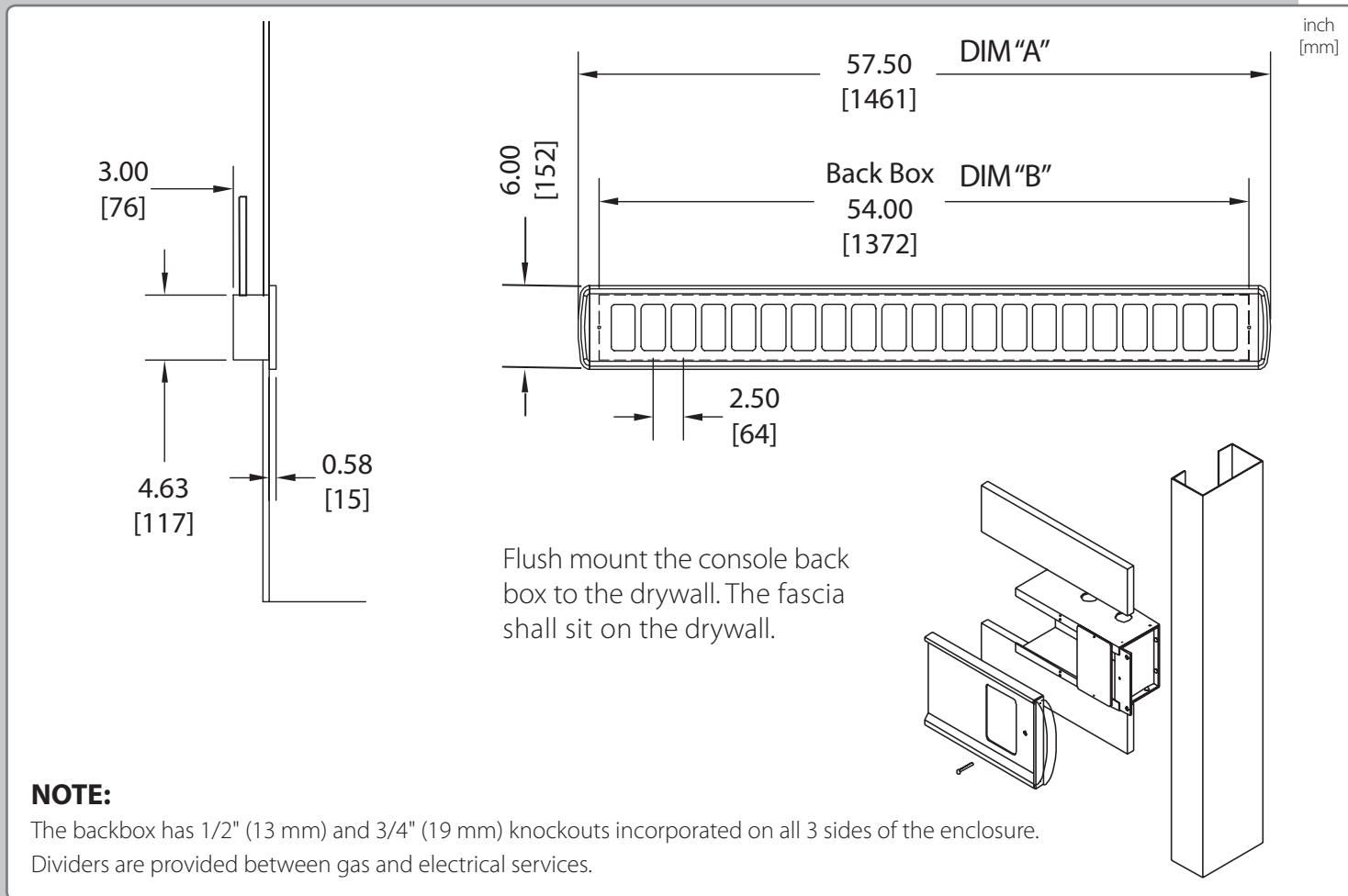
Amico products comply with NFPA-99.



Features:

- Removable front fascia for ease of maintenance and installation
- Single cutout dimension for all accessories (outlets and electrical devices) are on a 2.5" (63.5 mm) centre
- Fascia is anodized aluminum with moulded plastic end caps for a clean, aesthetic appearance

Recessed Console



Model Number

E-CON-XXR

The Letters "XX" Represents the Number of Gangs:

R = Recessed

# of gangs	3	5	7	9	11	13	15	17	19	21	23
DIM - "A" length of front	12.5" (318 mm)	17.5" (445 mm)	22.5" (572 mm)	27.5" (699 mm)	32.5" (826 mm)	37.5" (953 mm)	42.5" (1,080 mm)	47.5" (1,207 mm)	52.5" (1,334 mm)	57.5" (1,461 mm)	62.5" (1,588 mm)
length "B" of back box	9" (229 mm)	14" (356 mm)	19" (483 mm)	24" (610 mm)	29" (737 mm)	34" (864 mm)	39" (991 mm)	44" (1,118 mm)	49" (1,245 mm)	54" (1,372 mm)	59" (1,499 mm)

Distributed By: