

# Universal Remote Alarm Buzzer



**M2-REM-AL-WALL**



**M2-REM-AL-SURF**



**M2-REM-AL-POW**

## General Specifications:

The Amico Universal Remote Alarm Buzzer will provide the user with the ability to receive an audible alarm, and a visual alarm from a remote dry contact signal. If an alarm condition occurs, the "RED" alarm LED shall flash and the audible alarm will sound. Pushing the "ALARM SILENCE" button will cancel the audible alarm, but the unit will remain in the visual alarm condition until the problem is rectified.

The Amico M2-REM-AL-NEMA and M2-REM-AL-POW include a built in power supply that accepts 110 VAC to 240 VAC (50 to 60 Hz) as the input voltage. The output voltage is 12 VDC.

The M2-REM-AL-WALL and M2-REM-AL-SURF, if used with an Amico Alert-2 Manifold or Alarm, does not require a power supply if the distance between the Universal Remote Buzzer and the Manifold or Alarm is less than 50 ft. Using M2-REM-AL-POW or M2-REM-AL-NEMA is also an option. If the distance is greater than 50 ft, an external power supply (A3P-POWER-V4) or a 12 VDC voltage is required.

## Features:

The Amico Remote Alarm Buzzer can be used in the following separate functions:

- A device sending a dry contact signal
- An Amico Alert-2 area or master alarm
- An Alert-2 manifold bank switch-over occurs

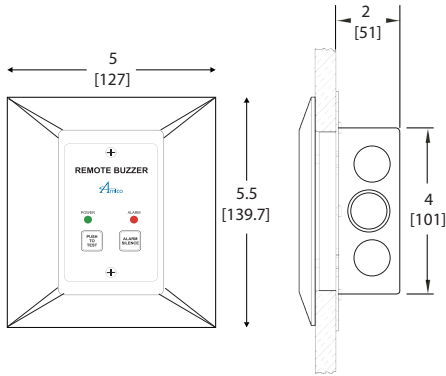


**M2-REM-AL-NEMA**

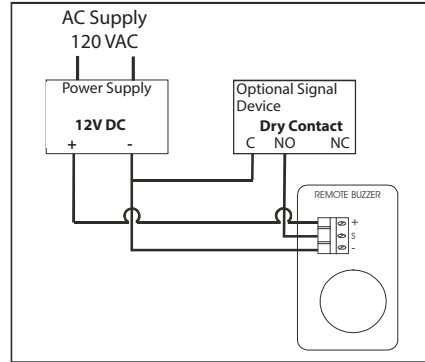
# Technical Specifications

## M2-REM-AL-WALL

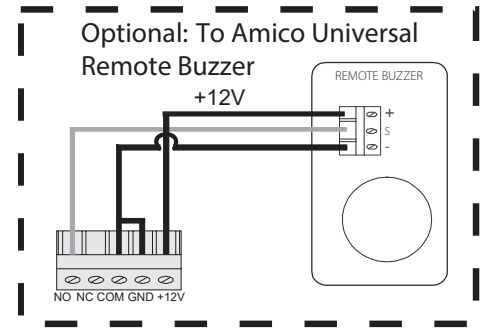
Inch  
[mm]



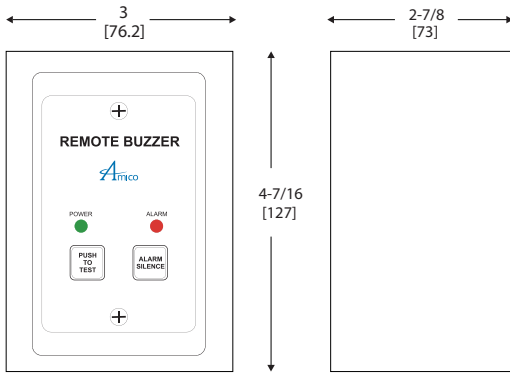
### Wiring Schematic



### Annunciator Wiring Schematic



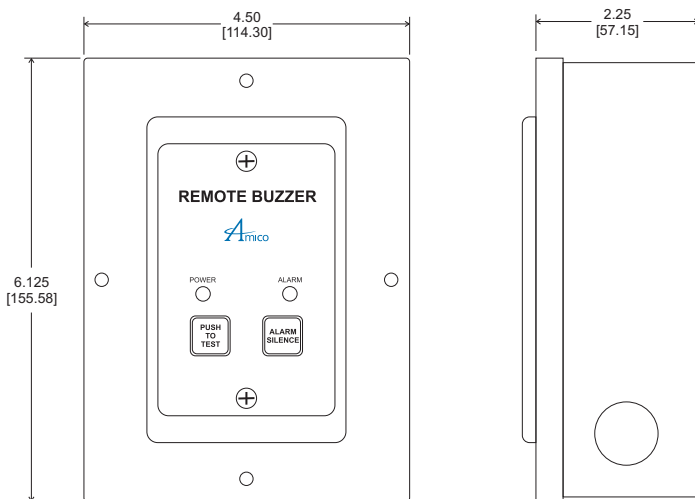
## M2-REM-AL-SURF



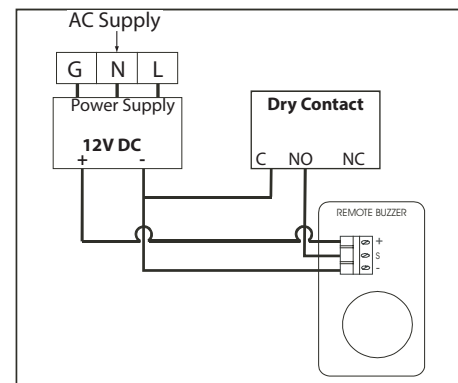
**Note:** Power supply not included with wall and surface mount

## M2-REM-AL-POW

Inch  
[mm]

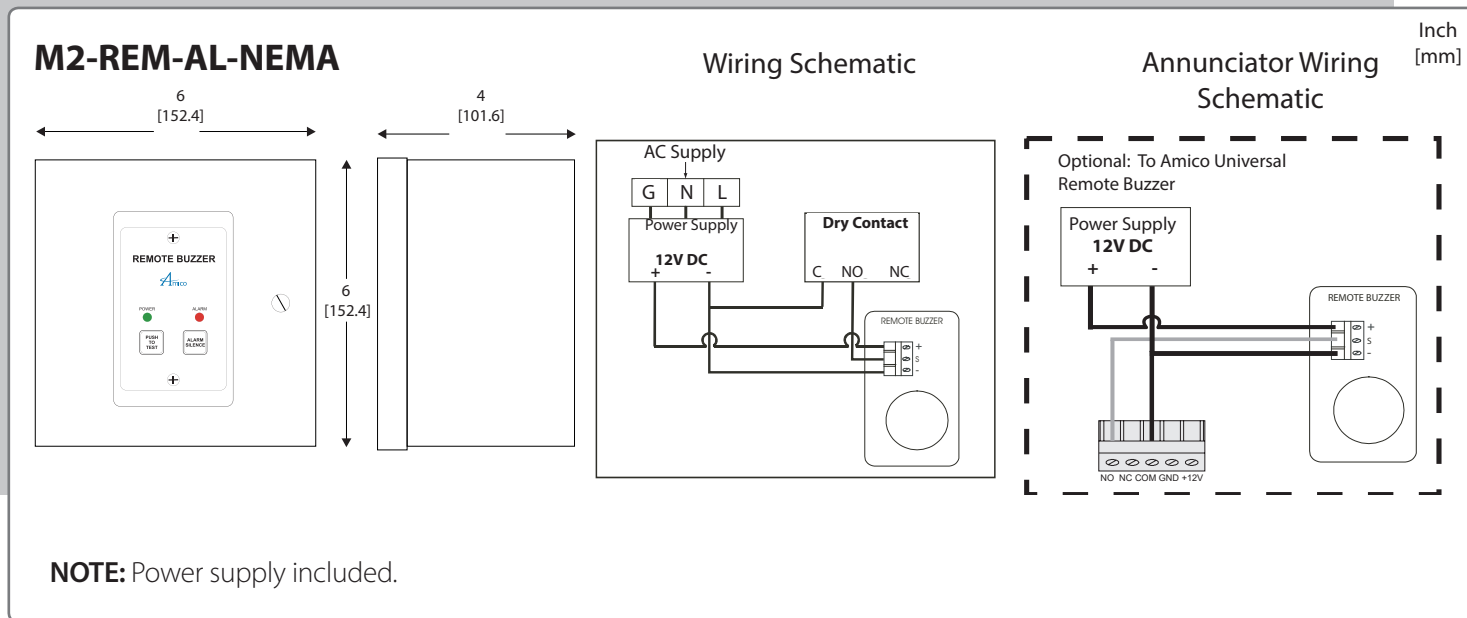


### Wiring Schematic



**Note:** Power supply included

# Technical Specifications



**NOTE:** Amico recommends max. 50 ft. to power up buzzer from any Amico devices (alarm/manifold). More than 50 ft., M2-REM-AL-POW and M2-REM-AL-NEMA includes power supply.