

Technical Specifications

Power System

- 120-240 VAC, 50-60 Hz input
- 120 VAC pure sine wave, 60 Hz, 180 W output
- Optional 9 V, 12 V, 19.5 V DC outputs
- 6' coiled power cord (standard), or 12' (optional)
- 3 outlets inside the Worksurface
- Ability to upgrade power source (battery)
- Power Inlet Options | US/CAN (TYPE B), GER/FRA (TYPE F), UK (TYPE G), DEN (TYPE K), AUS/NZ (TYPE I), and custom
- Power System IEC60601 Certified | Cart IEC60601 and IEC60950 Compliant
- Power/Reset button located under Worksurface (**Figure 3**)

Battery

- Lithium Iron Phosphate (LiFePO₄) Chemistry
- LiFePO₄ battery - 12V 19.2 Ah (230.4 Wh) ->6 hrs typical screen and PC, as tested
- LiFePO₄ battery - 12V 38.4 Ah (460.8 Wh) ->12 hrs typical screen and PC, as tested
- LiFePO₄ battery - 12V 57.6 Ah (691.2 Wh) ->18 hrs for typical screen and PC, as tested
- 3 hour fast charge to ~90% full, 4 hours to fully charged, from empty
- ~2000-3000 cycles

Display Mount

- Maximum recommended screen size 24" (61 cm) (without exceeding Worksurface width)
- Maximum screen weight (including VESA accessories) 22 lbs (10 kg)
- VESA MIS-D: 75 mm and 100 mm (optional adapter plates for other sizes) - slotted for easy installation

Workflow

- Modular and flexible to accommodate changing workflows
- Compact size to accommodate limited space for storage
- Integrated keyboard, Worksurface, and base light for night-time use
- Wheels/Casters: 2x Free-moving, 1x Steering Assist, 1x Locking
- Ergonomic design for reduced clinician fatigue

Maintenance

- Designed to meet infection control and prevention standards using non-porous, easy to clean materials (Aluminum, steel, ABS plastic, Nylon)
- Use Caviwipes or other disinfectant wipes (no abrasives, solvents, or trichloroethylene)

Ergonomics

- Independent display height adjustment, with tilt, pan, and rotate (**Figures 6-8**)
- Independent Worksurface height adjustment (**Figures 1 & 2**)
- Slide-out Keyboard Tray with Left/Right mouse, (**Figures 9 & 10**) or Ergonomic Keyboard Tray with Left/Right mouse, side-to-side, tilt, and height adjustment (**Figures 11-14**)
- Facilitates easy travel with ergonomic handles, low center of gravity, and 4x 5" (12.7 cm) casters (2x Free-moving, 1x Steering Assist, 1x Locking)

Worksurface

- Large size, hard Worksurface, suitable for charting and medication preparation
- Spill guard capacity: 8 fl oz (236.6 ml)
- RFID integration with support for various protocols (optional)
- 2x Auxiliary USB 2.0 ports
- PC compartment fan (optional)
- Secure CPU storage section (**Figure 4**)
- Customizable surface label (optional)
- Sit-to-stand height adjustment range 13" (33 cm) (**Figures 1 & 2**)
- Programmable user settings (requires Electric Lift and Advanced Control Interface)
- Keyboard Light
- Worksurface Light (requires Advance Control Interface)

Movement Ranges

- Display: Tilt +/-15° | Pan 180° | Rotate +/- 90°
- Display: Independent height adjustment: 6.5" (16.5 cm)
- Worksurface: Height range: 13" (33 cm)
- Worksurface: Height min: 35" (88.9 cm) | Height max: 48" (121.9 cm)
- Slideout Keyboard: In and Out 7" (17.8 cm)
- Ergonomic Keyboard: Tilt +20°/-10° | Pan 180° | Height 7.5" (19.1 cm) | In and Out 10" (25.4 cm)

Control Interface - Standard

- Capacitive touch
- Controls workstation height, lights
- Indicates battery level at ~6% accuracy intervals
- Error condition alerts: low battery, bad battery, battery recovery, AC/DC - plug/battery, collision detection, shutdown alert

Control Interface - Advanced

- Resistive touch
- Controls workstation height and lights
- Indicates battery level with estimated remaining runtime
- Integrated notes
- Programmable User Height Setting (100 profiles per cart, unlimited with Fleet Management add-on)
- Error condition alerts: low battery, bad battery, battery recovery, AC/DC - plug/battery, collision detection, shutdown, moved while connected to power

Loads

- Display Mount including VESA accessories: 22 lbs (10 kg)
- Electric Lift Column: 100 lbs (45.4 kg)

BirdsEye Workstation Management

- Manage critical issues locally or remotely with BirdsEye Workstation Management packages. See Sell Sheet for software details.

Key Dimensions

- Maximum screen size: 24" (61 cm) (LCD models)
- Worksurface: 19.9" (50.5 cm) W x 14.5" (36.8 cm) L (**Figure 3**)
- Secure PC/Laptop compartment:
 - Section A: 9.5" (24.1 cm) W x 8.5" (21.6 cm) L x 2.6" (6.6 cm) H (**Figure 4**)
 - Section B: 4.5" (11.4 cm) W x 8.5" (21.6 cm) L x 3.2" (8.1 cm) H (**Figure 4**)
- Footprint: 20.3" (51.4 cm) W x 20.3" (51.4 cm) L (**Figure 5**)
- Ground clearance: 1.6" (4.1 cm)
- Wheels: 4 x 5" (12.7 cm) casters

Storage Capacity

- Perch Storage Rail: 18" (45.7 cm) Width*
 - Bump Storage Rail: 18" (45.7 cm) Width*
 - Vertical Rail Column: 13" (33 cm) H rail on right and left side*
- *Consult with sales rep for load limits based on accessory and storage mounting requirements

Dimensions and Weights

- Shipped Dimensions: 24" (61 cm) x 24" (61 cm) x 60" (152.4 cm)
- Shipped Weight: 110 lbs (49.9 kg)
- Actual Weight: 88.7 lbs (40.2 kg)

Warranty

- 5-Year Warranty (excludes battery and power system)
- 3-Year Warranty for battery and power system
- Extended warranty for battery and power system (optional)

Dimensions and Movement Range

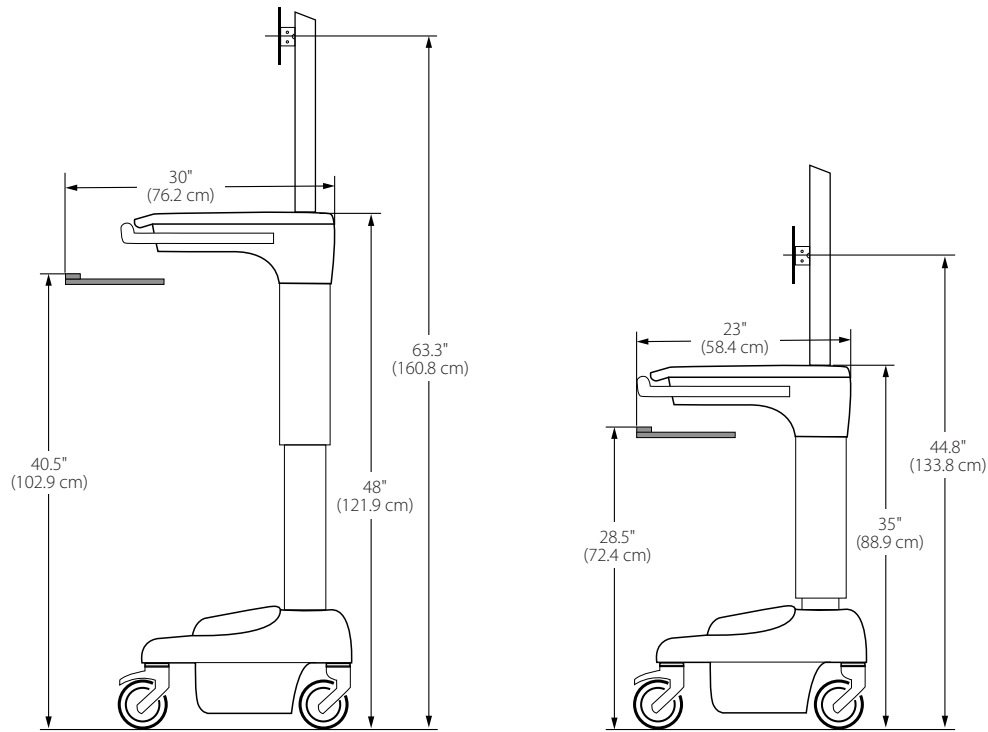


Figure 1
Minimum and Maximum Positions with Slideout Keyboard

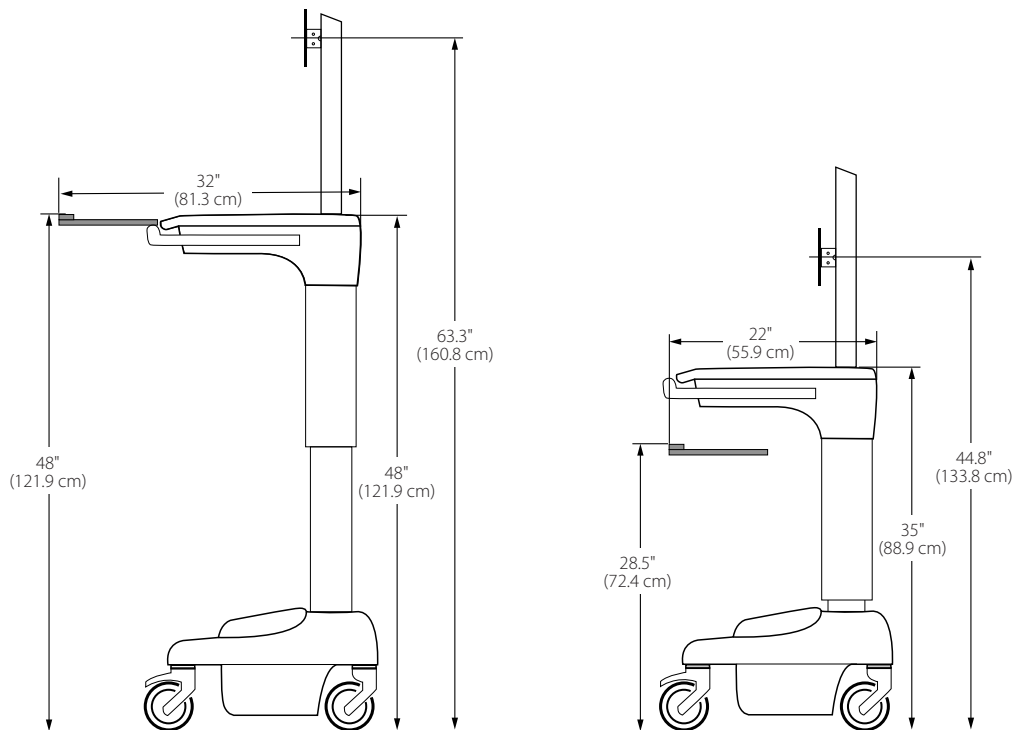


Figure 2
Minimum and Maximum Positions with Ergonomic Keyboard

Dimensions and Movement Range

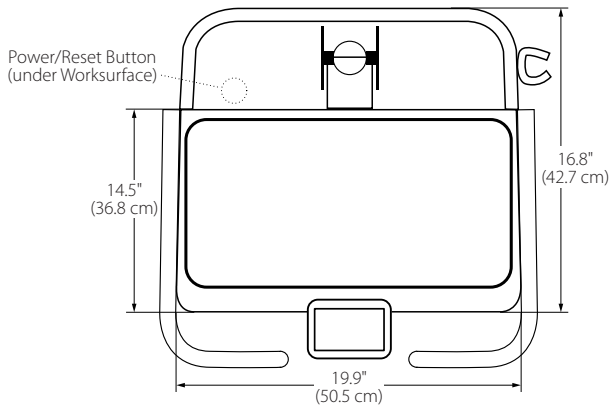


Figure 3
Worksurface - Worksurface Area

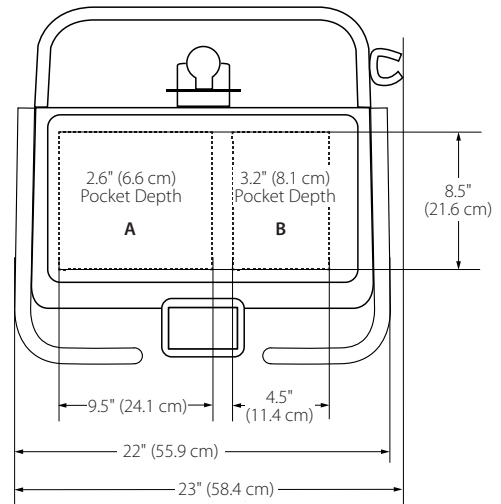


Figure 4
PC/Laptop Compartment Area

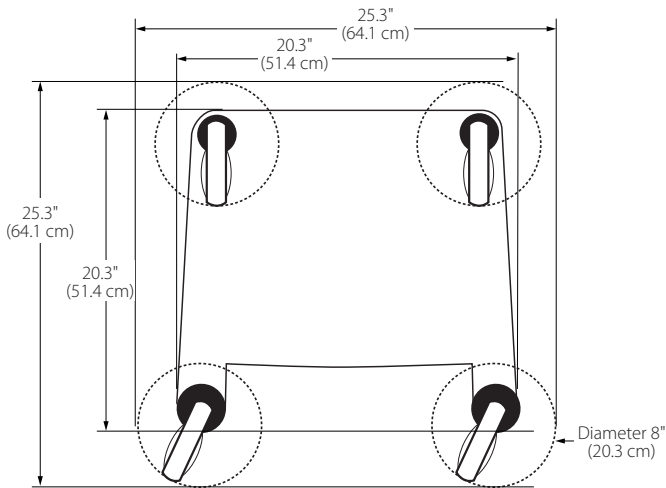


Figure 5
Wheelbase

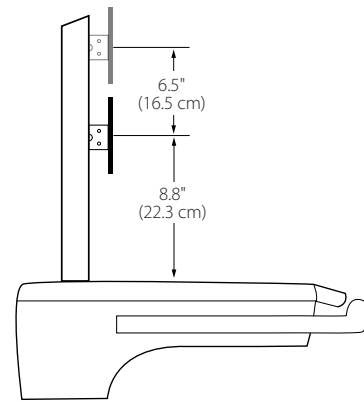


Figure 6
Display - Independent Height Adjustment (LCD/AIO Models)

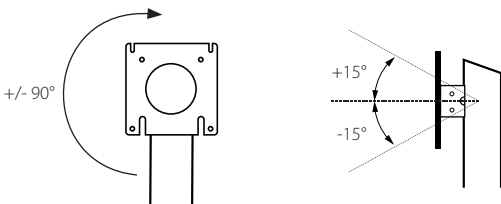


Figure 7
Display - Tilt and Rotate (LCD/AIO Models)

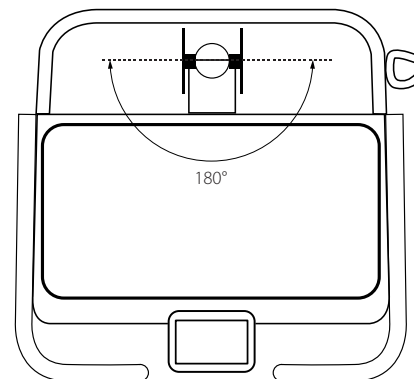


Figure 8
Display - Pan (LCD/AIO Models)

Dimensions and Movement Range

Slideout Keyboard Tray

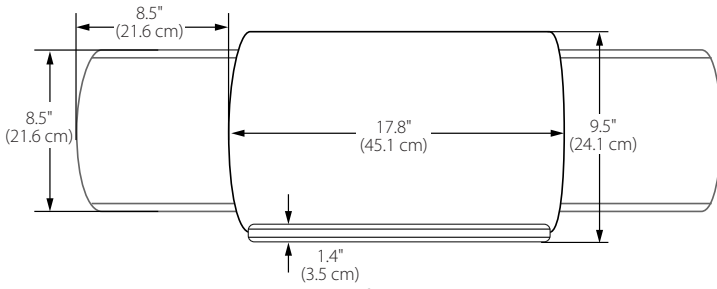


Figure 9
Dimensions

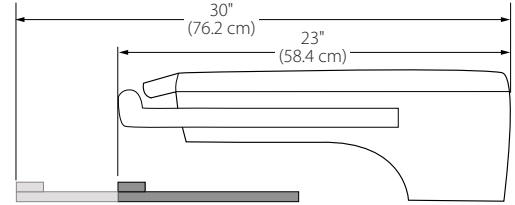


Figure 10
In/Out Range

Ergonomic Keyboard Tray

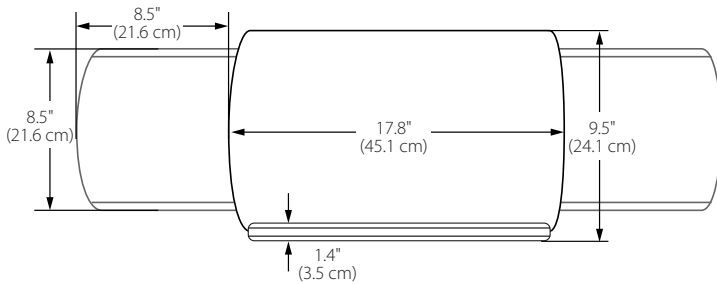


Figure 11
Dimensions

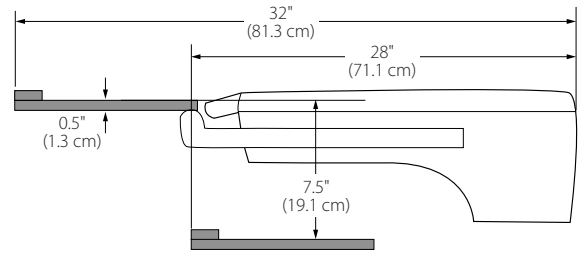


Figure 12
In/Out and Height Range

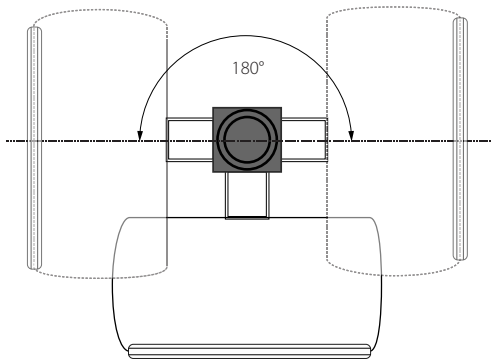


Figure 13
Pan

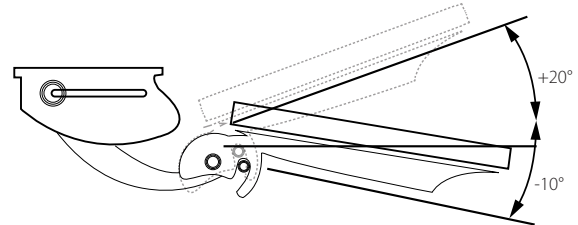


Figure 14
Tilt



Please visit www.amico.com for all technical specifications, installation instructions, and to learn more about other great Amico products and equipment. Detailed CAD drawings available upon request.