

## specifications

All section shut-off and main line isolation valves shall be an Amico Alert-1 Series.

The Valve shall be a 3 piece ball-type design with a bronze body and chrome plated brass ball for sizes 4". Seats shall be Teflon (TFE) and seals Viton for 4". A blow-out proof stem shall be used and the valve shall have a maximum pressure rating of 600 psi [4,137 kPa].

Valves shall be operated by a lever-type handle requiring only a quarter turn from a fully open position to a fully closed position.

Ball valves shall be equipped with type "K" washed and degreased copper pipe stub extensions at both the inlet and outlet sides of the valve port to facilitate installation.

Valves shall be designed in such a manner that it can be "swung-out" during installation so as to prevent damage due to heat transfer during the brazing operation.

Each valve assembly shall be washed and degreased for medical gas service. Pipe stub extensions shall be capped at both ends. The valve shall be supplied in a sealed plastic bag to prevent contamination prior to installation.

Amico products comply with NFPA-99, CSA Z7396.1-06 and CSA Z305.1.



## features

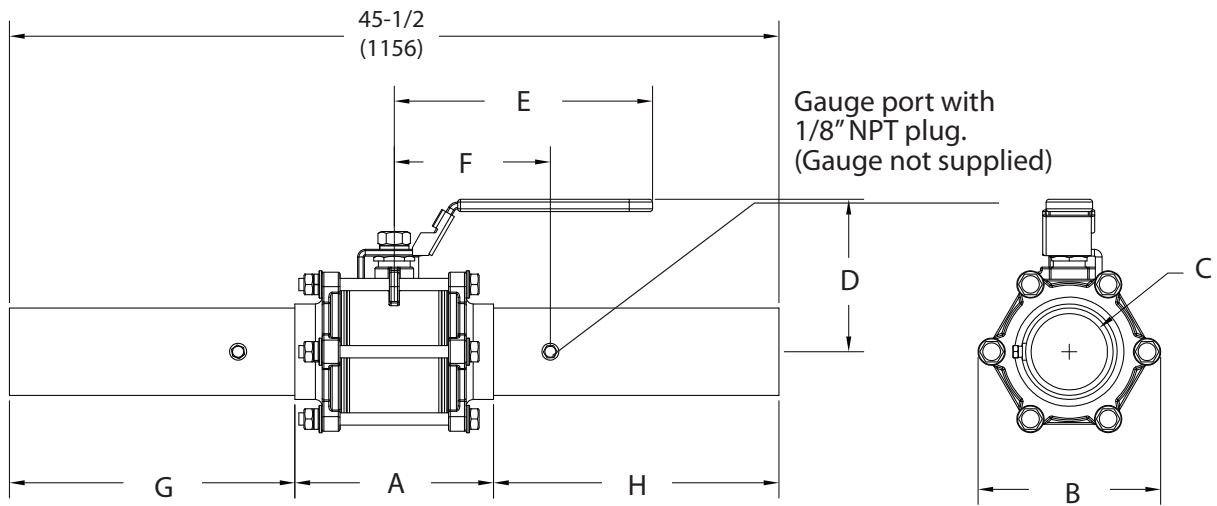
- ▶ 3 piece design for ease of maintenance
- ▶ 100% Hydrostatic tested
- ▶ Cleaned for medical gas service
- ▶ Blow-out proof stem
- ▶ Available in sizes 4"
- ▶ Full-Port design
- ▶ Available in locking or non-locking

project

---

---

---



Drawing for 4" valves.

## model numbers

Model #	Size	A	B	C	D	E	F	G	H	Bolts
VV-ISO-G-40	4 (102)	9-1/4 (52)	9-1/4 (235)	4-1/8 (105)	9 (229)	11-1/2 (292)	9 (229)	17-7/8 (454)	17-7/8 (454)	4

**NOTE:** To order with locking device, add the letter "L" after the current "G" to any part number. For example, VV-ISO-GL-XX.

represented by: