

# specifications

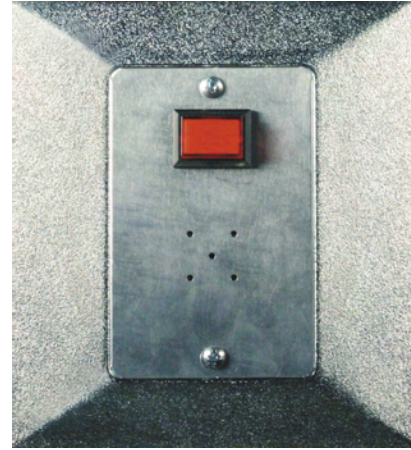
The Amico Remote Alarm Buzzer will provide the user the ability to receive an audible alarm. A visual alarm is optional. If an alarm condition occurs, the "RED" alarm Led shall flash and the audible alarm will sound, the unit will remain in the alarm condition until the problem is rectified.

The Remote Alarm Buzzer can be used in the following separate functions:

An Amico Alert-2 Area Alarm.

An Amico Alert-2 Master Alarm.

An Amico 2 in 1 Alarm.



WITH LED: A2-REM-AL-LED



WITHOUT LED: A2-REM-ALARM

project

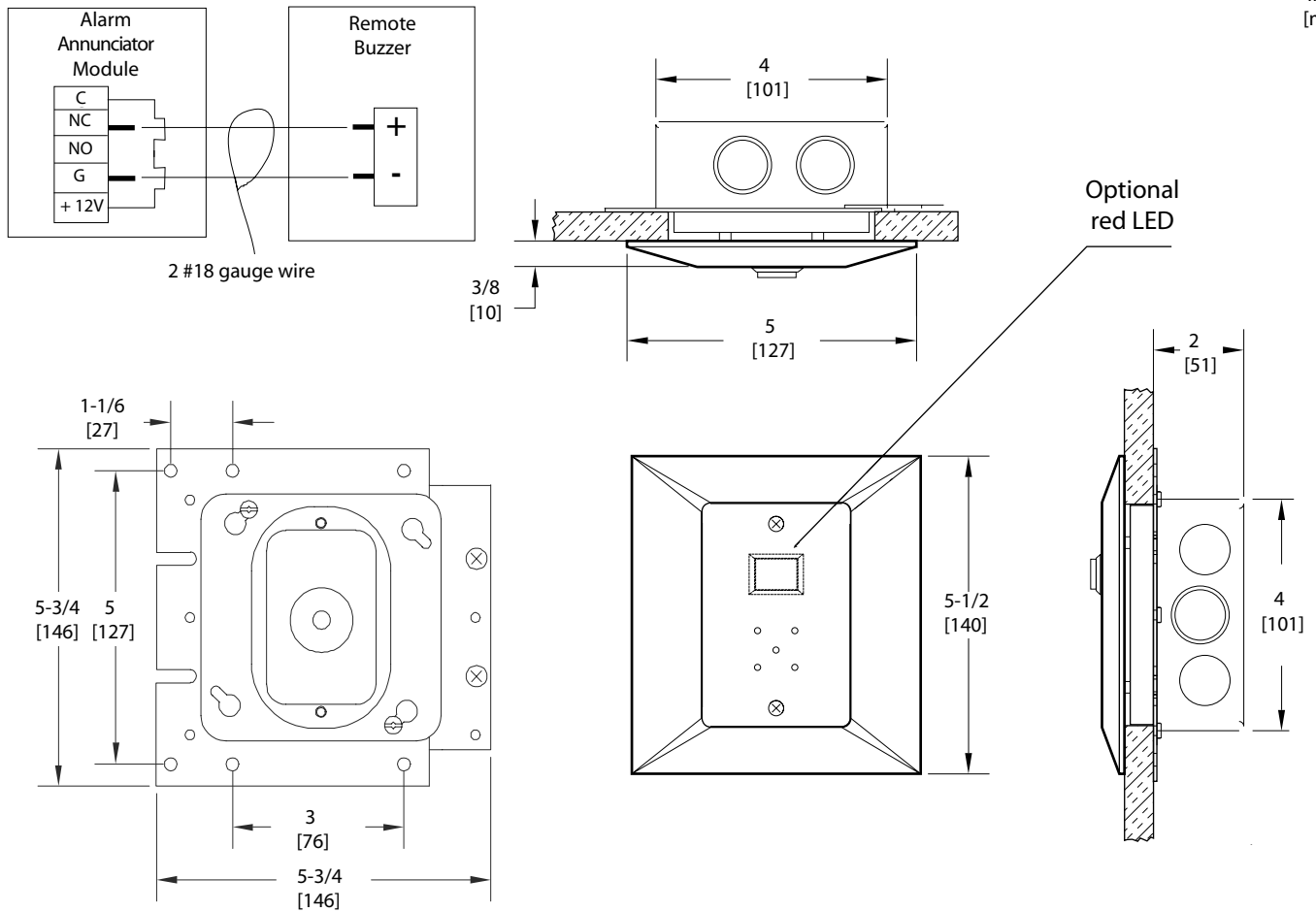
---

---

---

# remote alarm buzzer - for alert-2 area/master

Inch  
[mm]



## model numbers

Remote Alarm:	<b>A2-REM-ALARM</b>
Remote Alarm with red LED:	<b>A2-REM-AL-LED</b>
Blank Plate with Electrical back box:	<b>O-WAL-BLANK</b>

**NOTE:** The remote buzzer can be ganged together with Amico wall outlets

represented by: