

model number

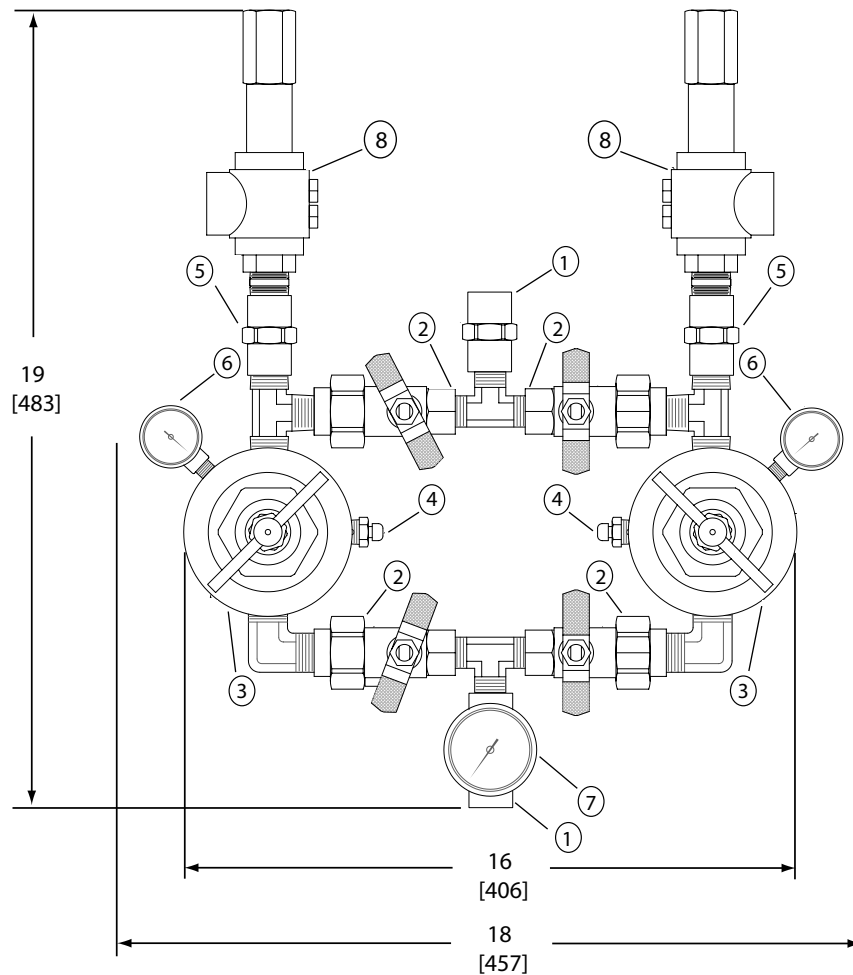
**M-DLRS-CSA-05** - 1/2" Dual line assembly

project

---

---

---



**NOTE:** Dimensions are approximate.

- 1 - 1/2" NPT Threads
- 2 - 1/2" Isolation Valves
- 3 - L 700 Regulator
- 4 - Bleed Valve
- 5 - Coupler
- 6 - Pressure Gauge
- 7 - Line Pressure Gauge
- 8 - Relief valve

**Note:** Nitrogen requires a 300 psi Pressure Gauge and all other gases require 100 psi.

represented by: