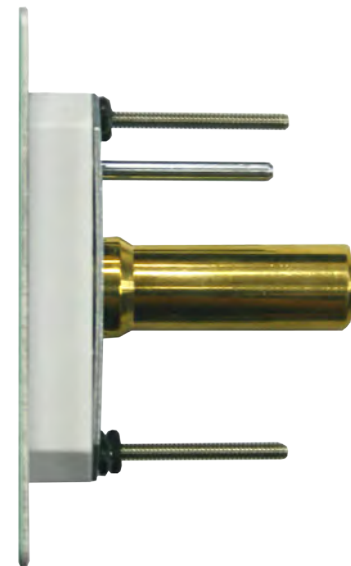


specifications

- The Dental Latch-Valve Assembly has a smaller face plate, to accommodate outlets mounted closer together.
- A color coded Front plate shall be used for ease of gas identification and aesthetic appeal.
- Dental Latch-Valve Assemblies are available for Ohmeda Compatible, DISS, Puritan-Bennett Compatible and Chemetron Compatible.
- Dental Latch-Valve Assemblies shall be cleaned and degreased for medical gas service, factory assembled and tested.
- Flow rate exceeds the requirements for NFPA.
- Dental Latch-Valve Assemblies are UL Listed
- Amico products comply with NFPA-99.

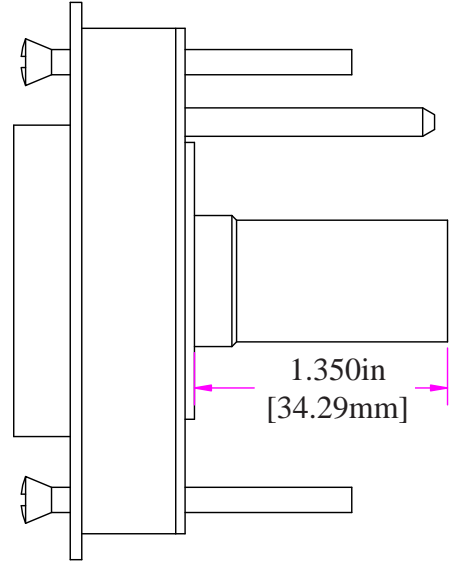
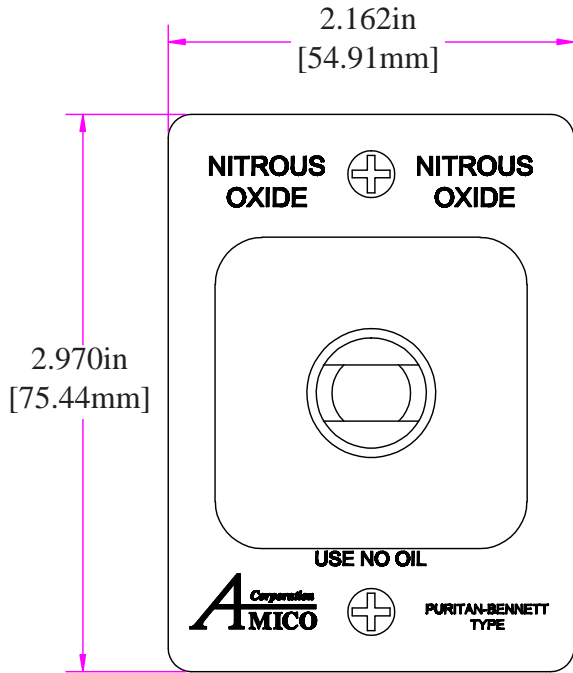


FRONT



SIDE

project



The XX defines the latch-valve assembly style:

- QD = Ohmeda Compatible
- CH = Chemetron Compatible
- PB = Puritan-Bennett Compatible
- DI = DISS

O-FXNC-XX-L-XXX

The L defines the Language:

- U = English (NFPA)
Oxy, Air, Vac & WAG
- E = English (CSA/ISO)

model numbers

The XXX defines the Gas:

- Oxygen = OXY
- Medical Air = AIR
- Nitrous Oxide = N2O
- Nitrogen * = NIT
- Carbon Dioxide ** = CO2
- MedVac = VAC
- Waste Anesthetic Gas Disposal (NFPA) = WAG
- Anesthetic Gas Scavenging System (CSA) = AGS

NOTE:

*Nitrogen available only in DISS

** Carbon Dioxide available only in DISS, Ohmeda and Chemetron .

represented by: