

specifications

The medical gas outlet shall be an Amico Alert-1 series.

Outlets shall be manufactured with a 6 - 1/2" [165 mm] length type "K" 1/2" [12.7 mm] outside diameter (3/8" nominal) size copper inlet pipe stub which is silver brazed to the outlet body. The body shall be of 1 - 5/16" [33 mm] diameter, one piece brass construction. For positive pressure gas services, the outlet shall be equipped with a primary and secondary check valve and the secondary check valve shall be rated at a maximum of 200 psi [1,379 kPa] in the event the primary check valve is removed for maintenance. Outlet bodies shall be gas specific by indexing each gas service to a gas specific single pin indexing arrangement on the respective identification module.

A satin finish color coded front plate shall be used for gas identification and aesthetic appeal.

With the back rough-in mounted, the outlet shall adjust up to 3/4" [19 mm] variation in mounting plate thickness.

The latch-valve assembly shall be DISS type and only accept corresponding DISS type gas specific adapters.

All M.R.I. outlets are manufactured from nonferrous materials.

All outlets shall be cleaned and degreased for medical gas service, factory assembled and tested.

The outlets are UL Listed and CSA approved.

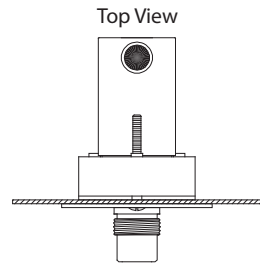
Amico products comply with NFPA-99.



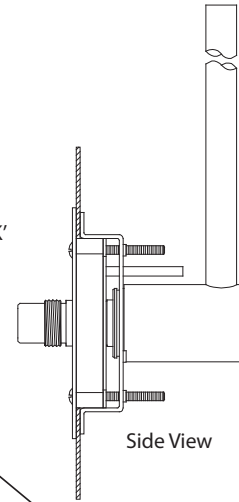
features

- ▶ Flow rate exceeds the requirements of NFPA and CSA
- ▶ Accepts only DISS gas specific adapters
- ▶ 100 % Hydrostatic testing of each outlet and cleaned for medical gas service
- ▶ Indexed to eliminate interchangeability of gas services
- ▶ Up to 3/4" [19 mm] mounting plate thickness adjustment
- ▶ 360° swivel inlet pipe for easy installation
- ▶ Universal rough-in assembly to accept Quick Disconnects or DISS front adapters (Can be interchanged at any time)
- ▶ Outlets are also available for M.R.I. use

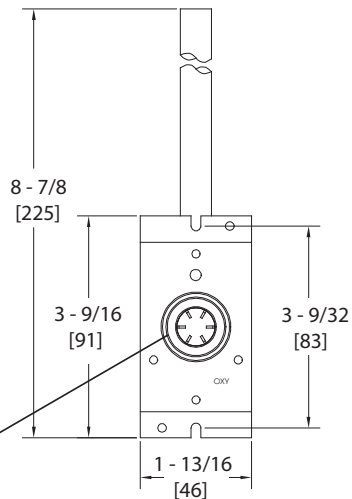
project



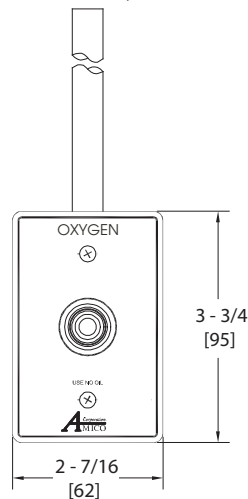
1/2" [12.7 mm] O.D. (3/8" nominal) type 'K' copper pipe, rotates 360 deg. for entry from any angle



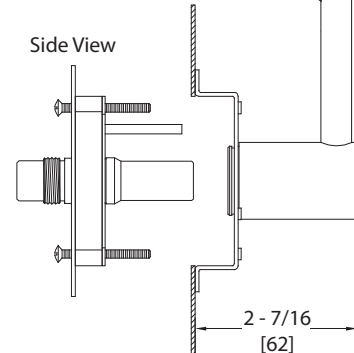
Front View
"Rough - In"



Front View
Latch - Valve
Assembly



Side View



¹**NOTE:** For CSA/ISO, suction inlets are not supplied with a secondary check valve. A pressure plug is provided for testing purposes, rated at 150 psi [1,034 kPa].

model numbers

Complete Puritan Bennett Compatible Satin Finish Console Outlet Assembly

O-DISCON-L-XXX-S

<p>The L defines the Language:</p> <p>U=English (NFPA) Oxy, Air, Vac and WAG</p> <p>E=English (CSA/ISO) N2O, CO2 & NIT</p>		<p>The XXX defines the Gas:</p> <p>Oxygen =OXY</p> <p>Medical Air =AIR</p> <p>Carbon Diozide =CO2</p> <p>Nitrogen =NIT</p> <p>Nitrous Oxide =N2O</p> <p>MedVac =VAC</p> <p>Waste Anesthetic</p> <p>Gas Disposal (WAGD) = WAG</p>
--	--	--

NOTE: The Complete Puritan Bennett Compatible Satin Finish Console Outlet Assembly will consist of:

QTY. 1

O-FPOC-DI-L-XXX (Front Latch Assembly)

<p>The L defines the Language:</p> <p>U=English (NFPA) Oxy, Air, Vac and WAG</p> <p>E=English (CSA/ISO) N2O, CO2 & NIT</p>		<p>The XXX defines the Gas:</p> <p>Oxygen =OXY</p> <p>Medical Air =AIR</p> <p>Carbon Diozide =CO2</p> <p>Nitrogen =NIT</p> <p>Nitrous Oxide =N2O</p> <p>MedVac =VAC</p> <p>Waste Anesthetic</p> <p>Gas Disposal (WAGD) = WAG</p>
--	--	--

QTY. 1

O-BAKCON-L-XXX-S (Rough-in Assembly)

QTY. 1

O-TRIM-P275G (Trim Plate)

M.R.I model numbers

Complete DISS Compatible Satin Finish Console Outlet Assembly for M.R.I.

O-DISCONM-L-XXX-S

The L defines the Language:

U=English (NFPA) Oxy, Air, Vac and WAG

E=English (CSA/ISO) N2O, CO2 & NIT

The XXX defines the Gas:

Oxygen =OXY

Medical Air =AIR

Carbon Diozide =CO2

Nitrogen =NIT

Nitrous Oxide =N2O

MedVac =VAC

Waste Anesthetic

Gas Disposal (WAGD) = WAG

NOTE: The Complete DISS Compatible Satin Finish Console Outlet Assembly for M.R.I. will consist of:

QTY. 1

O-FPOM-DI-L-XXX (Front Latch Assembly)

The L defines the Language:

U=English (NFPA) Oxy, Air, Vac and WAG

E=English (CSA/ISO) N2O, CO2 & NIT

The XXX defines the Gas:

Oxygen =OXY

Medical Air =AIR

Carbon Diozide =CO2

Nitrogen =NIT

Nitrous Oxide =N2O

MedVac =VAC

Waste Anesthetic

Gas Disposal (WAGD) = WAG

QTY. 1

O-BAKCONM-L-XXX-S (Rough-in Assembly)

QTY. 1

O-TRIM-P275G (Trim Plate)