

specifications

The medical gas outlet shall be an Amico Alert-1 series.

Outlets shall be manufactured with a 6-1/2" [165 mm] length type "K" 1/2" [12.7 mm] outside diameter (3/8" nominal) size copper inlet pipe stub which is silver brazed to the outlet body. The body shall be of 1 - 5/16" [33 mm] diameter, one piece brass construction. For positive pressure gas services, the outlet shall be equipped with a primary and secondary check valve and the secondary check valve shall be rated at a maximum of 200 psi [1,379 kPa] in the event the primary check valve is removed for maintenance. Outlet bodies shall be gas specific by indexing each gas service to a gas specific single pin indexing arrangement on the respective identification module.

A satin finish color coded front plate shall be used for gas identification and aesthetic appeal.

With the back rough-in mounted the outlet shall adjust up to 3/4" [19 mm] variation in mounting plate thickness.

The latch-valve assembly shall be Chemetron Quick Disconnect compatible and accept only corresponding Chemetron type gas specific adapters.

All M.R.I. outlets are manufactured from nonferrous materials.

All outlets shall be cleaned and degreased for medical gas service, factory assembled and tested.

The outlets are UL listed.

Amico products comply with NFPA-99.

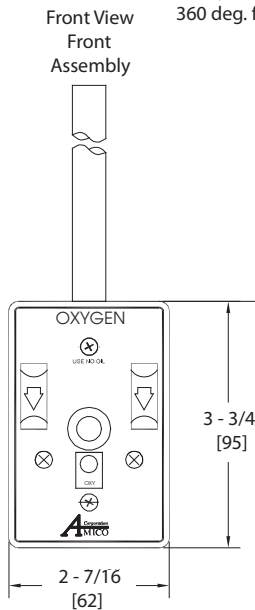
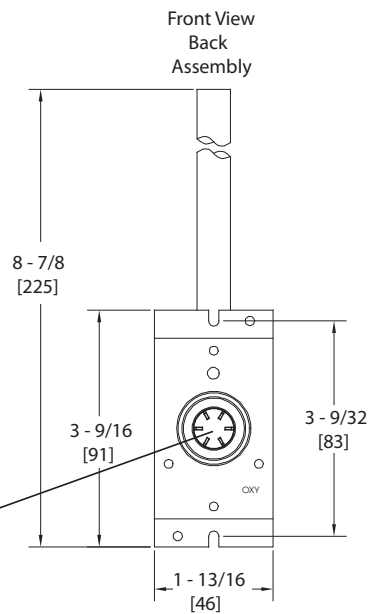
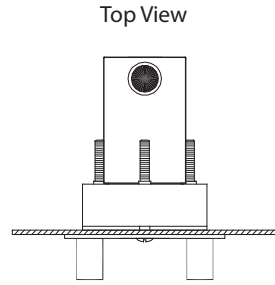


features

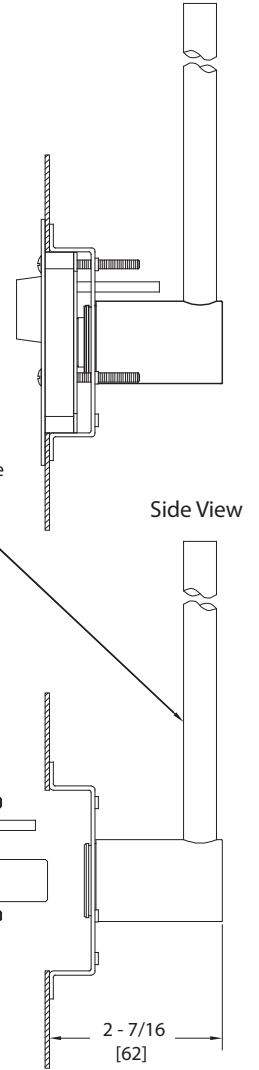
- ▶ Flow rate exceeds the requirements of NFPA and CSA
- ▶ Accepts only Chemetron gas specific adapters
- ▶ 100 % Hydrostatic testing of each outlet and cleaned for medical gas service
- ▶ Indexed to eliminate interchangeability of gas services
- ▶ Up to 3/4" [19 mm] mounting plate thickness adjustment
- ▶ 360° swivel inlet pipe for easy installation
- ▶ Universal Rough-In Assembly to accept Quick Disconnects or DISS Front Adapters (Can be interchanged at any time)
- ▶ Outlets are also available for M.R.I. use

project

Inch
[mm]



1/2" [12.7 mm] O.D. (3/8" nominal) type 'K' copper pipe, rotates 360 deg. for entry from any angle



¹NOTE: For CSA/ISO, suction inlets are not supplied with a secondary check valve. A pressure plug is provided for testing purposes, rated at 150 psi [1,034 kPa].

model numbers

Complete Chemetron Compatible Satin Finish Console Outlet Assembly

O-CHCON-L-XXX-S

<p>The L defines the Language:</p> <p>U=English (NFPA) Oxy, Air, Vac and WAG</p> <p>E=English (CSA/ISO) N2O & CO2</p>		<p>The XXX defines the Gas:</p> <p>Oxygen =OXY</p> <p>Medical Air =AIR</p> <p>Carbon Dioxide =CO2</p> <p>Nitrous Oxide =N2O</p> <p>MedVac =VAC</p> <p>Waste Anesthetic</p> <p>Gas Disposal (WAGD) = WAG</p>
---	--	---

NOTE: The Complete Chemetron Compatible Satin Finish Console Outlet Assembly will consist of:

QTY. 1

O-FPOC-CH-L-XXX (Front Latch Assembly)

<p>The L defines the Language:</p> <p>U=English (NFPA) Oxy, Air, Vac and WAG</p> <p>E=English (CSA/ISO) N2O & CO2</p>		<p>The XXX defines the Gas:</p> <p>Oxygen =OXY</p> <p>Medical Air =AIR</p> <p>Carbon Dioxide =CO2</p> <p>Nitrous Oxide =N2O</p> <p>MedVac =VAC</p> <p>Waste Anesthetic</p> <p>Gas Disposal (WAGD) = WAG</p>
---	--	---

QTY. 1

O-BAKCON-L-XXX-S (Rough-in Assembly)

QTY. 1

O-TRIM-P275G (Trim Plate)

M.R.I model numbers

Complete Ohmeda Diamond Compatible Satin Finish Console Outlet Assembly for M.R.I.

O-CHCONM-L-XXX-S

The L defines the Language:

U=English (NFPA) Oxy, Air, Vac and WAG

E=English (CSA/ISO) N2O & CO2

The XXX defines the Gas:

Oxygen =OXY

Medical Air =AIR

Carbon Dioxide =CO2

Nitrous Oxide =N2O

MedVac =VAC

Waste Anesthetic

Gas Disposal (WAGD) = WAG

NOTE: The Complete Ohmeda Diamond Compatible Satin Finish Console Outlet Assembly for M.R.I. will consist of:

QTY. 1

O-FPOM-CH-L-XXX (Front Latch Assembly)

The L defines the Language:

U=English (NFPA) Oxy, Air, Vac and WAG

E=English (CSA/ISO) N2O & CO2

The XXX defines the Gas:

Oxygen =OXY

Medical Air =AIR

Carbon Dioxide =CO2

Nitrous Oxide =N2O

MedVac =VAC

Waste Anesthetic

Gas Disposal (WAGD) = WAG

QTY. 1

O-BAKCONM-L-XXX-S (Rough-in Assembly)

QTY. 1

O-TRIM-P275G (Trim Plate)