

# features

- Single-outlet surface mounting box
- Accepts any Amico console outlet
- Baked painted steel (18 gauge) bracket is screwed to wall holding outlet rough-in in place for piping to gas supply line
- White ABS fire retardant plastic cover box and outlet latch valve assembly complete surface mounting outlet
- Surface box is also available for M.R.I. use



**project**

---

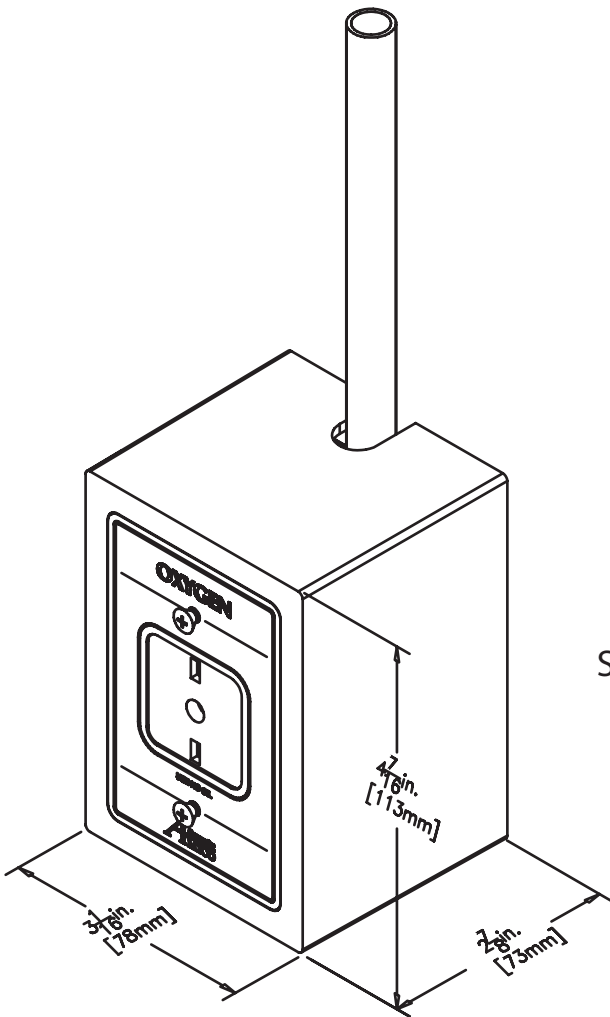
---

---

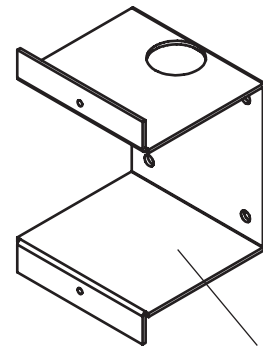
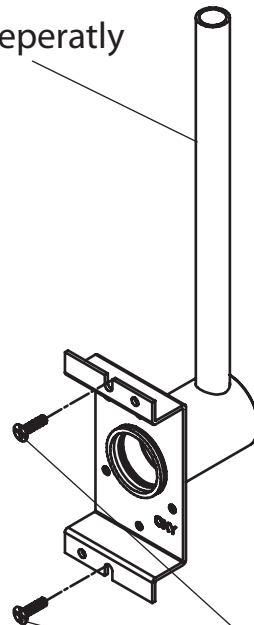
# dimensions & model numbers

## O-SURF-BOX

- Consisting of:
- |                 |     |
|-----------------|-----|
| O-SURF-X-BRKT   | (1) |
| H-MPR-0605      | (2) |
| O-X-SURF-BOXPL2 | (1) |

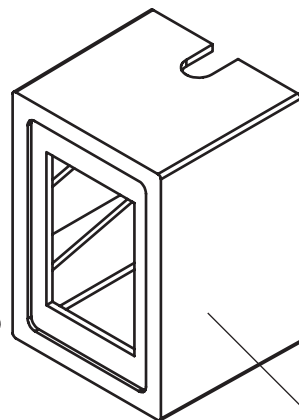
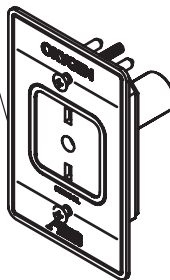


Sold Separately



Bracket  
**O-SURF-X-BRKT**

Sold Separately



Cover Box  
**O-X-SURF-BOXPL2**

Mounting Screws  
**H-MPR-0605**

represented by: