



## MRS RAIL INSTALLATION



Amico Accessories Monitor Rail Systems are designed to accommodate all your monitor mounting solutions. With its durable structure, facilities are guaranteed to have safe and reliable mounting support vertically and horizontally.

### **MRS (Monitor Rail Systems):**

- Typically used for mounting monitors
- Built to handle vertical loads up to 60lbs
- Great for concealing cords and tubing
- Designed for vertical or horizontal applications
- Available in a wide variety of lengths

### **MOUNTING REQUIREMENTS**

#### **Drywall Over 16 Gauge Steel or Wood Studs:**

MRS Rail, #12 x 2¾" High Tensile Phillips Sheet Metal Screws **\*NOTE:** Amount of screws varies depending on channel length.

#### **Drywall Over Steel or Wood Studs Less Than 16 Gauge:**

MRS Rail, ¼–20 x 3" Pan Head Machine Screws, Toggle Wings **\*NOTE:** Amount of screws/toggle wings varies depending on channel length.

#### **MRS/ARS Mounting:**

(2) ARS Rails, (2) Adapters, MRS Rail, #12 x 2¾" High Tensile Phillips Sheet Metal Screws

**\*NOTE:** Amount of screws varies depending on channel length.

### **MEDICAL FACILITY RESPONSIBILITY**

Amico Monitor Rail Systems must be inspected periodically. Assure the proper backing in the wall is installed prior to adding rails. A defective product should not be used. Parts that are broken, missing, plainly worn, distorted or contaminated, should be replaced immediately. Should such repairs or replacements become necessary, please contact your local distributor.

## PRECAUTIONS

In this manual, notice these key words:

**\*WARNING:** Used to denote steps which can prevent injury.

**\*NOTE:** Used to point out helpful information.

ALTHOUGH CONSIDERABLE EFFORT HAS BEEN MADE TO ENSURE THE SAFETY IN THIS MANUAL, THE INSTALLATION ITSELF IS BEYOND THE CONTROL OF AMICO ACCESSORIES INC. ACCORDINGLY, AMICO ACCESSORIES WILL NOT BE RESPONSIBLE FOR THE FAILURE OF ANY SUCH INSTALLATION.

**\*WARNING:** A LATERAL FORCE OF 80LBS APPLIED 17" OUT FROM THE WALL WILL CRACK A 5/8" THICK GYPSUM BOARD ALONG THE CHANNEL FLANGE.

THIS IS NOT ACCEPTABLE IN SEISMIC SENSITIVE AREAS AND IN CALIFORNIA. FOR MORE INFORMATION PLEASE VISIT [HTTP://WWW.CA.GOV](http://www.ca.gov)

**\*WARNING:** IT SHALL BE THE RESPONSIBILITY OF THE HOSPITAL, ITS CONSULTANTS AND/OR CONTRACTORS TO DETERMINE THAT THE WALL IS ADEQUATE TO SAFELY MOUNT THE SPECIFIC INSTRUMENT. THIS INCLUDES THE SELECTION OF APPROPRIATE FASTENERS AND THE PROPER INSTALLATION. THE FOLLOWING IS GUIDELINE INFORMATION ONLY. SEE RAIL INSTRUCTIONS FOR SPECIFIC WALL CHANNEL GUIDELINE INFORMATION.

### **PLASTER COAT OVER EXPANDED METAL LATH ON STEEL STUDS, HOLLOW TILE & HOLLOWBLOCK:**

Drill 5/8" (16 mm) holes. Broach the holes in hard materials to allow for the toggle wing to pass through. Insert screws through Wall Channel holes then affix the toggle wings to the screws. Insert toggle wings into previously drilled holes. Use a level to make sure the channel is vertical prior to final seating of the screws.

### **THROUGH WALL, BACK TO BACK INSTALLATIONS:**

Sufficient length 1/4"-20 machine screws, nuts, washers and/or back plates must be obtained to mount the channel by drilling all the way through the thin partition wall. If two channels are to be mounted back to back, internally threaded sleeves, exact length screws and specific procedures are available from Amico Accessories upon request. A Portalign drill fixture is recommended for this procedure.

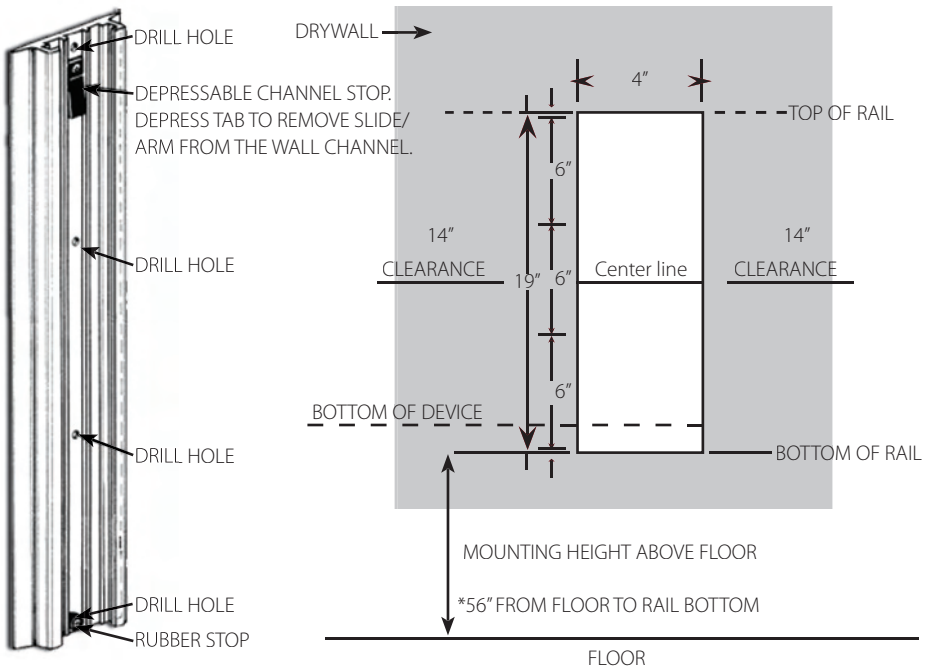
## CHANNEL PLACEMENT

(See figure 1)

1. Place the bottom edge of a 19" rail 56" above the floor. Some rails may require lower placement
2. The bottom of the device will be 4-1/2" above the bottom of the rail. **\*NOTE:** Access to the device controls should be considered before mounting the rail.
3. Allow 14" clearance on either side of the rails center line to clear objects such as over-bed lighting, privacy curtains, adjacent walls or columns, door swing arcs, etc. Power and signal outlets should be considered when selecting a rail location. Avoid oxygen, vacuum and air outlets, and allow space for attendant flow meters and regulators.

**\*WARNING:** The maximum load rating for this rail is 60lbs. Refer to a qualified personnel.  
Failure to follow these instructions may result in serious injury.

**\*NOTE:** The rubber stop at the bottom of the rail goes over the shank of the bottom screw. The safety lever at the top of the rail is used to secure the device from sliding up and out of the rails tracks.



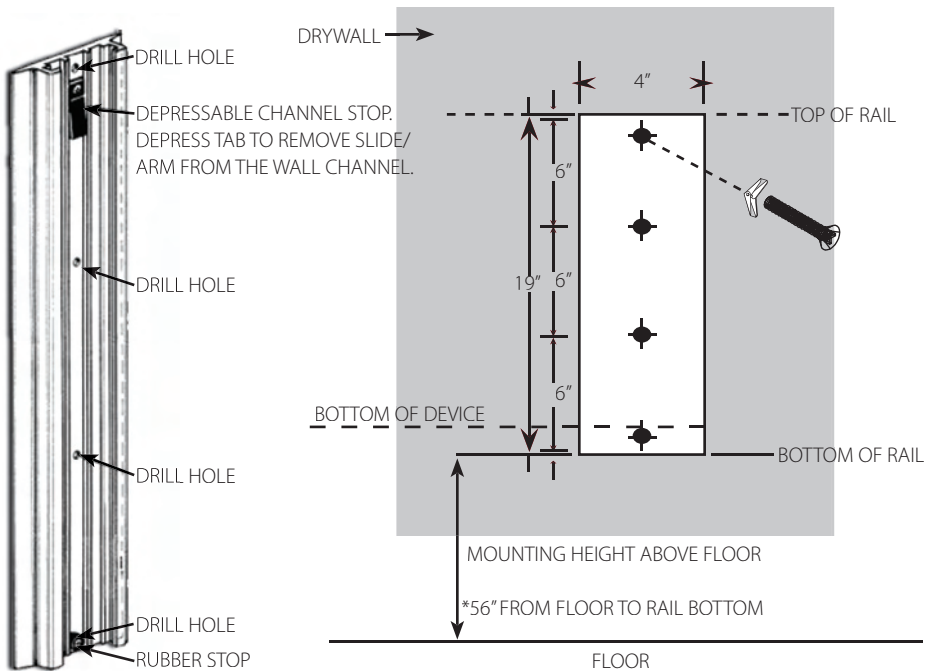
(figure 1)



## DRYWALL OVER STEEL OR WOOD STUDS LESS THAN 16 GAUGE (See figure 3)

1. Locate the building studs in the area and mark on the wall the location where you want the rail to be mounted.
2. Drill  $11/16$ " diameter hole into the rail  $0.5$ " from the top of the rail, for the recommended  $1/4-20 \times 3$ " Pan Head Machine Screws. Repeat the same procedure this time  $0.5$ " from the bottom of the rail.
3. Once the two drill holes are completed, drill  $11/16$ " diameter holes into the rail  $6$ " below the top hole and  $6$ " above the bottom hole on the rail, for the recommended  $1/4-20 \times 3$ " Pan Head Machine Screws.
4. Once all the drill holes are completed insert the (4) toggle wings into the holes and tighten the screws through the toggle wings, rail and into the wall backing.

**\*NOTE:** The rubber stop at the bottom of the rail goes over the shank of the bottom screw. The safety lever at the top of the rail is used to secure the device from sliding up and out of the rails tracks.



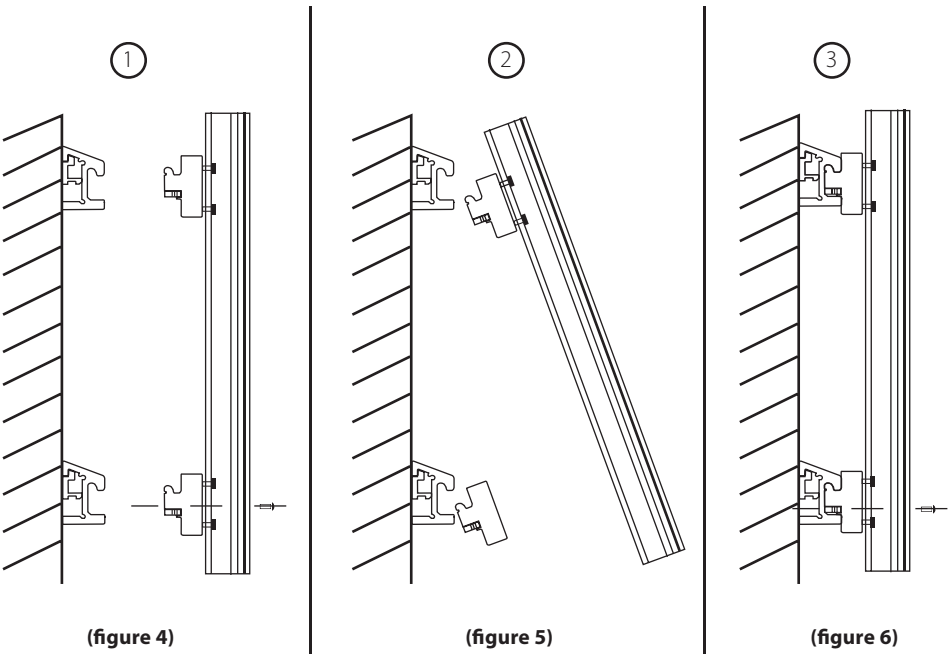
(figure 3)

## MRS/ARS MOUNTING

1. Unsecure the bottom adapter on the MRS Rail by unscrewing the (2) screws. **(See figure 4)**
2. Tilt the MRS Rail and press down the lever wedge on the adapter and fit the adapter into the ARS Rail. Once positioned depress the lever, this will lock the adapter into place. Similarly, insert the bottom adapter to the ARS Rail with the same procedure. **(See figure 5)**
3. Resecure the adapter to the MRS Rail by rescrewing the (2) screws through the rail and into the adapter. **(See figure 6)**

**\*WARNING:** Once MRS Rail is in conjunction with ARS Rail your devices will be able to perform vertical and horizontal movements.

**\*WARNING:** Assure that all rails and adapters are fastened accordingly and to the tightest position to prevent and disassembly.



## **WARRANTY**

During the term of your warranty: Within the first twelve (12) months from the date of shipment Amico Accessories will repair or replace any part which is proven to be defective at our cost. After the twelve (12) months Amico Accessories will send the parts to the customer free of charge, but the shipping and installation will be borne by the customer.

The warranty is valid only when the product has been properly installed according to Amico Accessories specifications used in a normal manner and serviced according to factory recommendations. It does not cover failures due to damage which occur in shipments or failures which resulted from accidents, misuse, abuse, neglect, mishandling, alteration, misapplication or damage that may be attributable to acts of God.

AMICO ACCESSORIES DOES NOT HONOR VERBAL STATEMENTS CONCERNING THE WARRANTY.

The distributor and/or dealer are not sanctioned to create verbal warranties about the product described in this agreement. Any statements will not be honored or be made part of the agreement of sale. This document is the final complete and exclusive terms of the agreement.

THIS WARRANTY IS INCLUSIVE AND REPLACES ALL OTHER WARRANTIES.

Amico Accessories shall not, under any circumstances be liable for incidental or consequential damages including, but not limited to, profit, loss of sales or injuries to person(s) or property. Correction of non-compliance as noted above will result in completion of all liabilities of Amico Accessories whether based on agreement, neglect or changed materials, designs or specifications without notice.

All claims for warranty must first be approved by Amico Accessories Service Department: (info@amico-accessories.com or 1.877.AMICO XS). A valid Return Goods Authorization number must be obtained from Amico Accessories prior to commencement of any warranty claim.

**Amico Accessories Inc.**  
85 Fulton Way, Richmond Hill  
Ontario, L4B 2N4

**Toll Free Tel: 1-877-264-2697**

**Tel: 905-763-7778**

**Fax: 905-763-8587**

**E-mail: info@amico-accessories.com**

Please visit [www.amico.com](http://www.amico.com) for more information on our product installation instructions.