

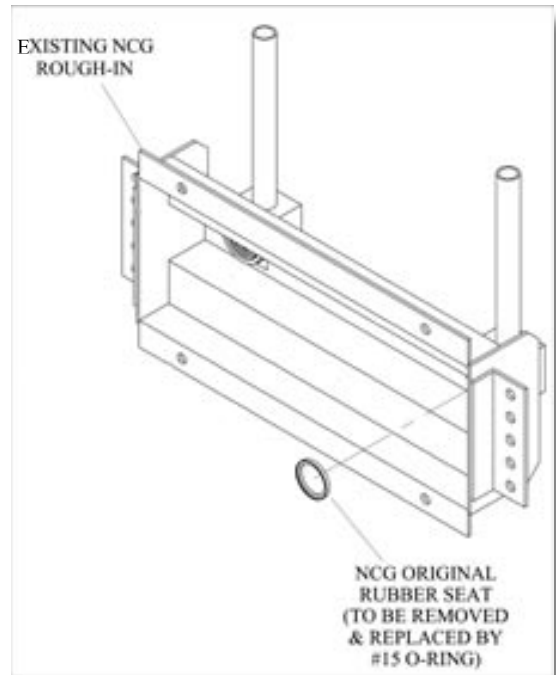


NCG Chemetron Outlet Retro-Fit Manual



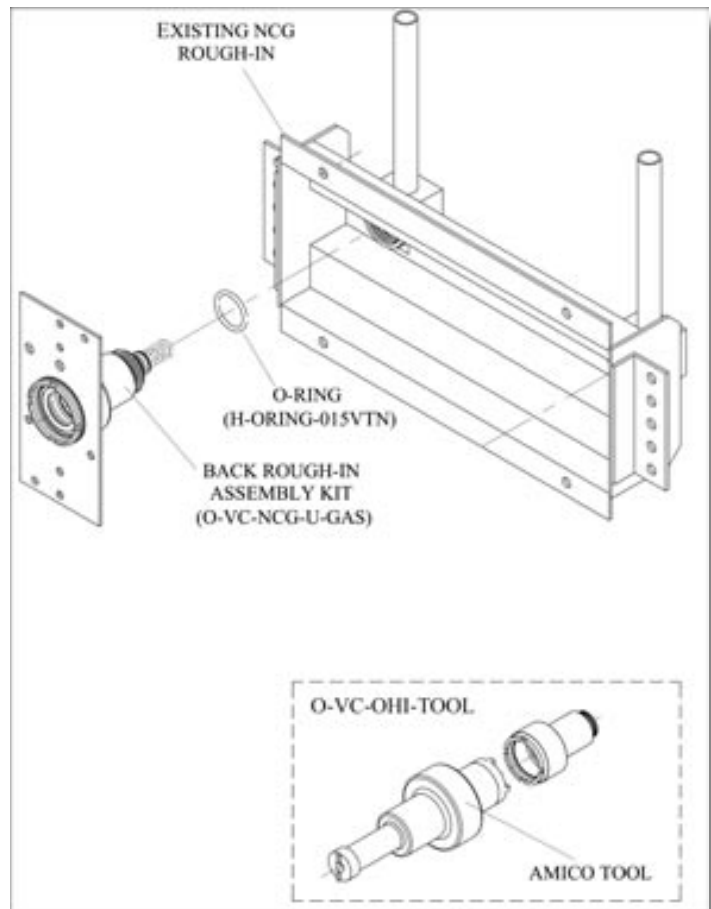
STEP 1:

Remove all secondary check parts from the existing outlets. Replace the NCG rubber seat with Amico #15 O-Ring.



STEP 2:

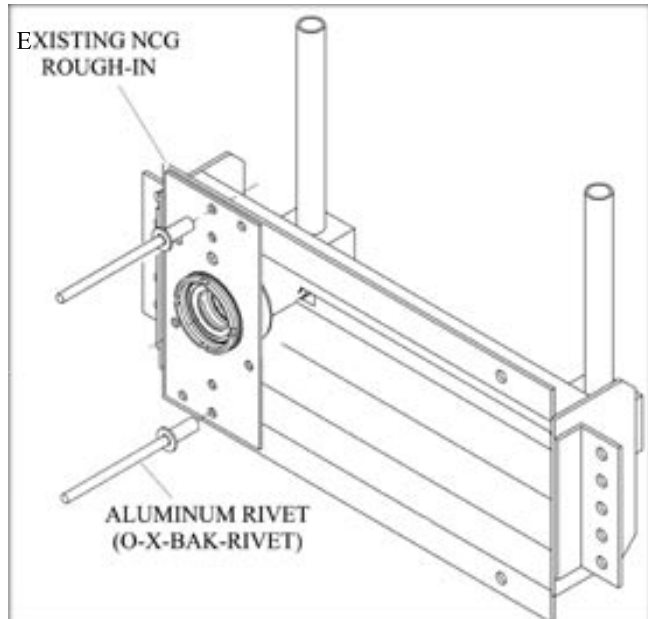
Thread the Amico Retro-Fit rough-in assembly to the existing NCG rough-in.



STEP 3:

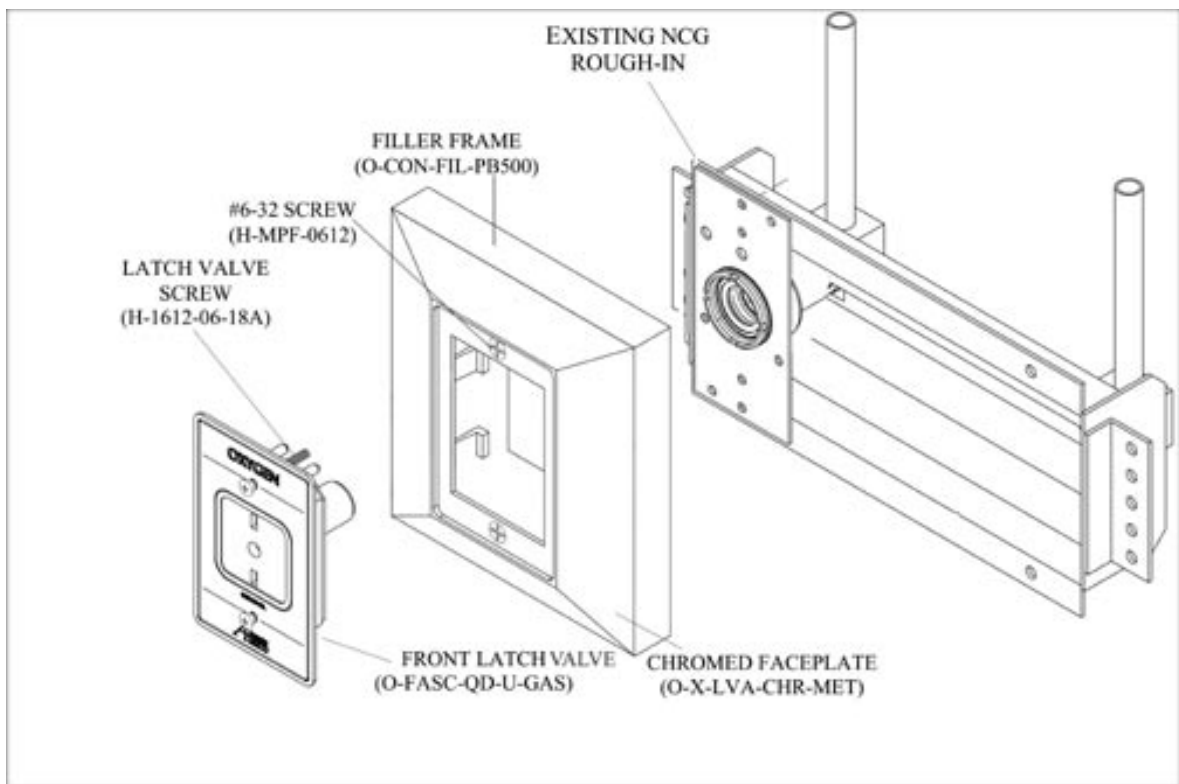
Use the Rivet provided to attach the Upgrade bracket to the existing console to ensure it is gas specific.

Note: Ensure the Amico rough-in and the NCG rough-in are the same gas.



STEP 4:

Place the pre-assembled filler frame & face plate over the wall outlet and insert the latch valve assembly through the face plate and fasten with the latch valve screws.





85 Fulton Way, Richmond Hill
Ontario, L4B 2N4, Canada

31 Sprague Avenue, Amityville
NY 11701, USA

Toll Free Tel: 1.877.462.6426
Toll Free Fax: 1.866.440.4986
Tel: 905.764.0800 | Fax: 905.764.0862
www.amico.com

represented by: