

Monitor Arms



SSM Application on Mobile Cart



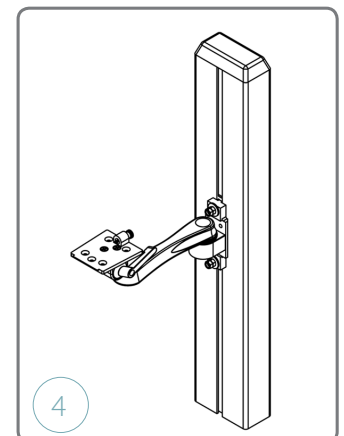
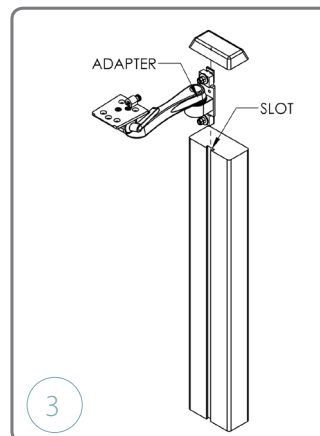
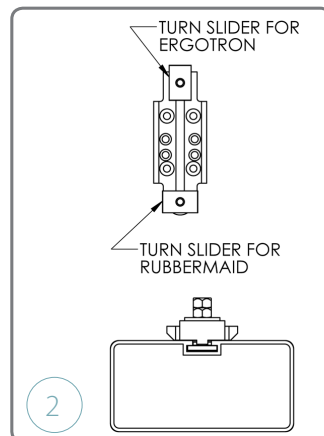
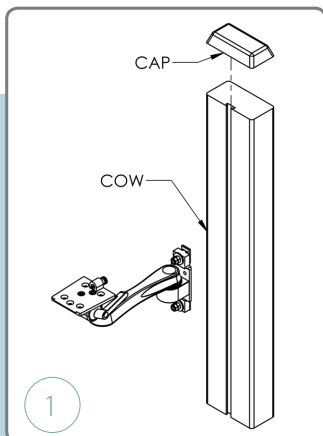
Part Number: SSM-052-COW

Features:









- 9" or 12" (23 cm or 30 cm) single arm length
- 9" x 9" (23 cm x 23 cm) double arms length
- Compatible with Ergotron and Rubbermaid computer carts
- Swivel arm provides lateral functionality
- Tilt and swivel adjustments
- 20 lbs (9 kg) arm rating
- Integrated cable management
- Color options available (white is standard)



Easy to Install



SSM Application on Mobile Cart

| PART NUMBER MATRIX |  DINAMAP |  WELCH ALLYN 300 SERIES |  MINDRAY VS-800 |  Philips MP Series |
|------------------------------------------------------------------------------------------------------------------------------------------------------------------------------------------------------|-----------------------------------------------------------------------------------------------------|--------------------------------------------------------------------------------------------------------------------|--------------------------------------------------------------------------------------------------------------|-----------------------------------------------------------------------------------------------------------------|
|  Flush Options AS SHOWN FOR DINAMAP SSM4-12UF125-COW | SSM4-12UF125-COW | SSM-45W-COW | MR-VS800-SSM4-COW | SSM-453-COW |
|  Single Pivot Arm 9" (22.9 cm) AS SHOWN FOR LCD Monitors NM-2120-SSM2-COW | SSM2-12UF125-COW | SSM-25W-COW | MR-VS800-SSM2-COW | SSM253-COW |
|  Single Pivot Arm 12" (30.5 cm) AS SHOWN FOR MINDRAY VS-800 MR-VS800-SSM0-COW | SSM0-12UF125-COW | SSM-05W-COW | MR-VS800-SSM0-COW | SSM-053-COW |
|  Double Pivot Arm 9"x9" (22.9 cm x 22.9 cm) AS SHOWN FOR WELCH ALLYN 300 SERIES SSM-35W-COW | SSM3-12UF125-COW | SSM-35W-COW | MR-VS800-SSM3-COW | SSM-35W-COW |

Other manufacturers available on request

Part Numbers for Accessories

Power Holder
PWRHLD-COW



Wire Basket
050504-COW-BB




Cord Hooks
CRDHLD-COW



Sharps Holder
SHARPSHLD-COW



Bar Code Scanner Holder
Call for part number



Please visit www.amico.com for all technical specifications, installation instructions, detailed AutoCAD drawings and more Mounting Solutions.



Distributed By:

