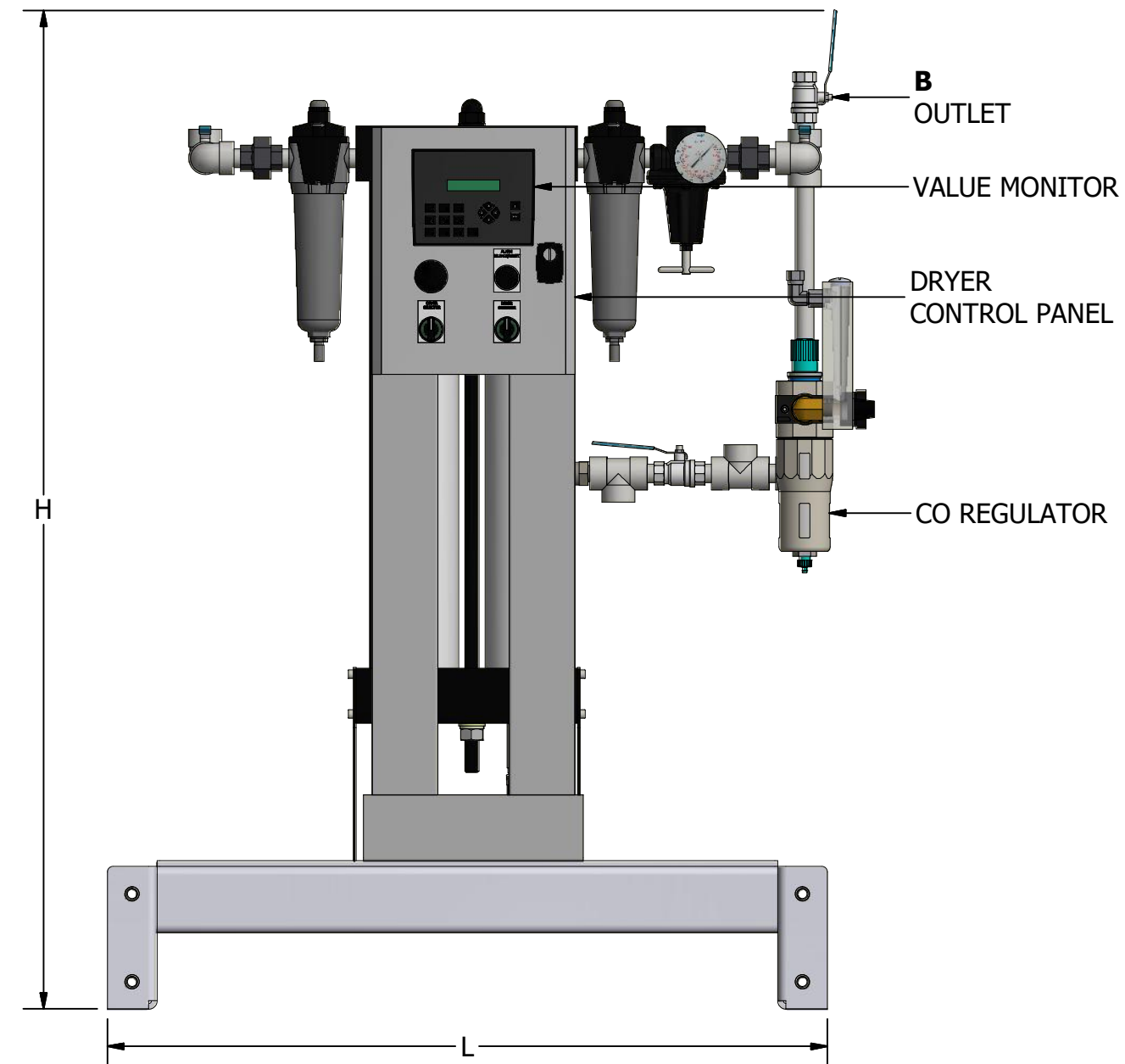
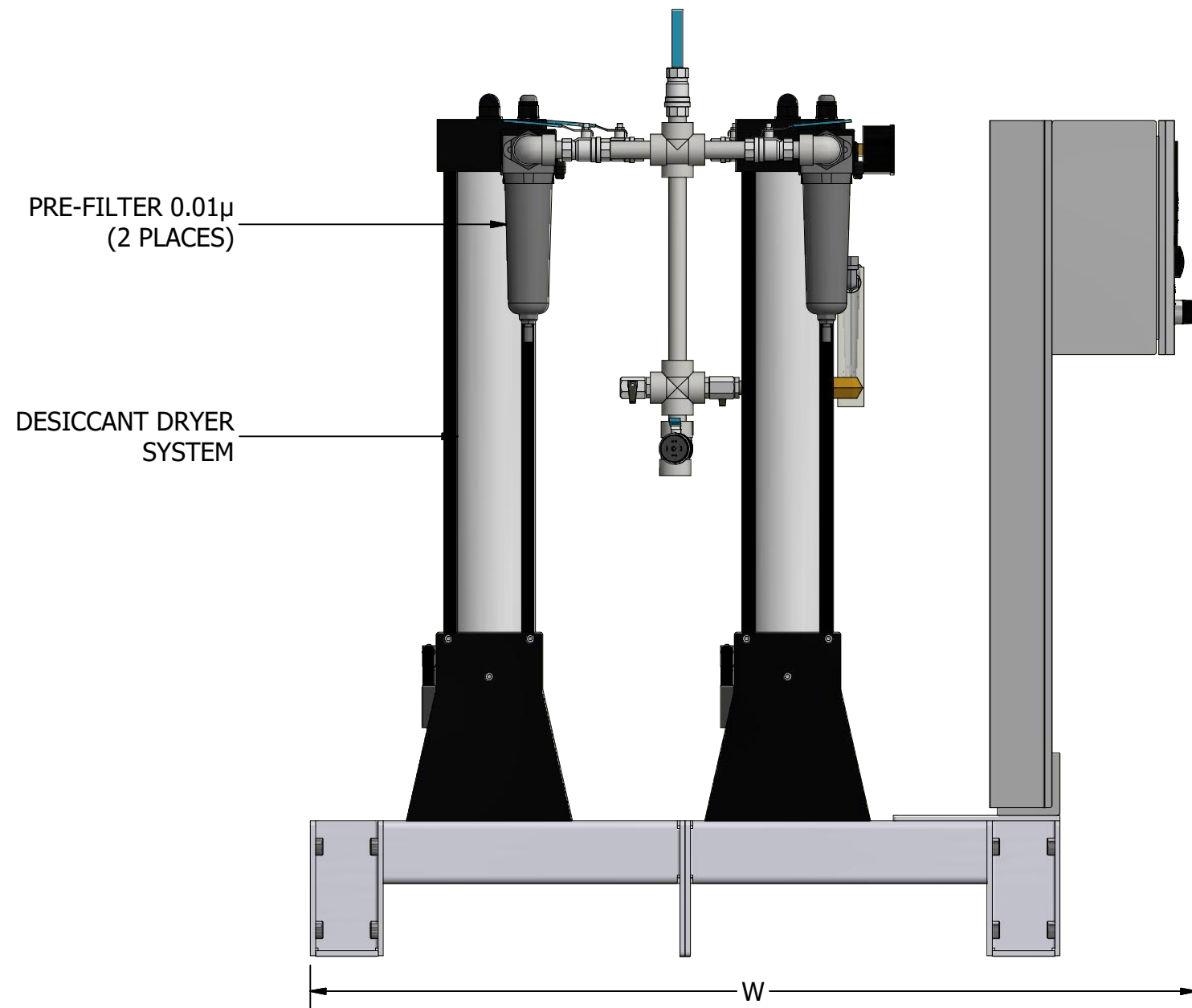
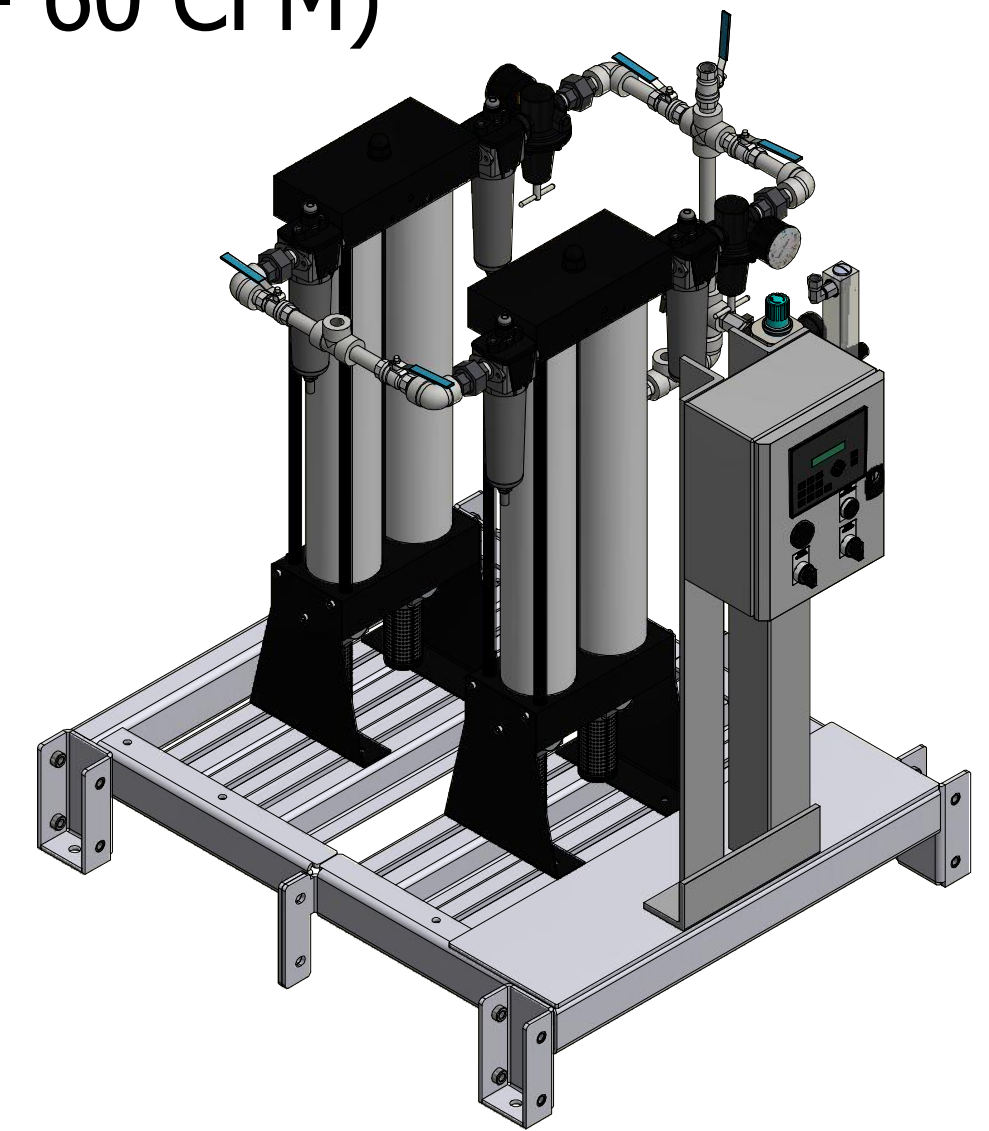
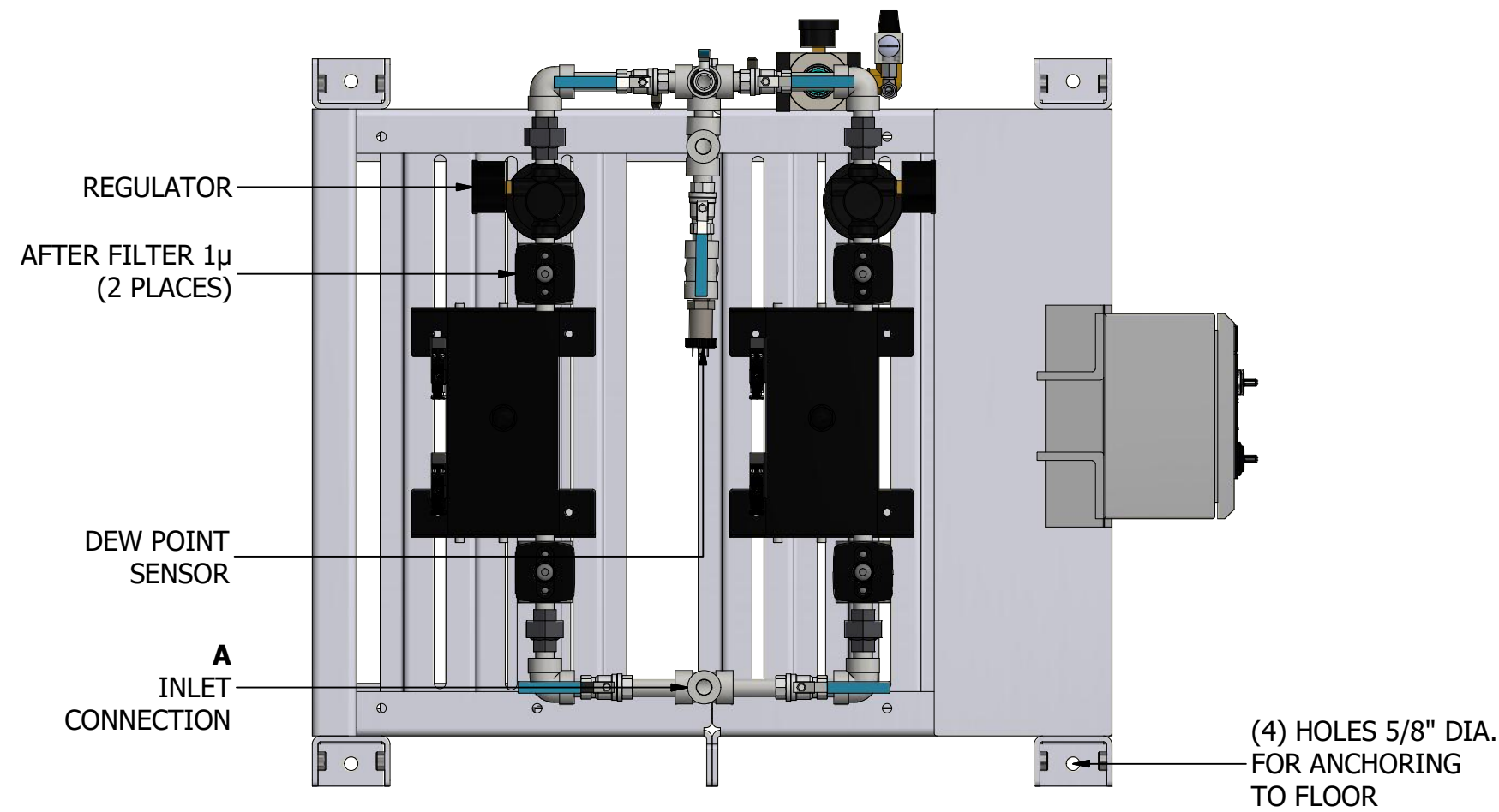


# DESICCANT AIR TREATMENT SYSTEM (10 CFM - 60 CFM)



BASE DIMENSIONS 38" x 33"  
DIMENSIONS SUBJECT TO CHANGE WITHOUT NOTICE

ADDITIONAL MODELS AVAILABLE UPON REQUEST



85 Fulton Way, Richmond Hill  
Ontario, L4B 2N4 Canada  
71 East Industry Court  
Deer Park, NY 11729  
Direct Tel: 905.764.0800  
Tel: 1.877.462.6426  
Fax: 1.866.440.4986

MODEL	A INLET NPT	B OUTLET NPT	DRYER SCFM (LPM)	WEIGHT IN LBS (KG)	SQ. FT. REQUIRED (M <sup>2</sup> )	W (M)	L (M)	H (M)
A-X-ADAD-B-440	0.5	0.5	10 (283)	340 (154)	10.1 (0.94)	44 (1.12)	33 (0.84)	46 (1.17)
A-X-ADAD-B-441	0.5	0.5	20 (566)	374 (169)	10.1 (0.94)	44 (1.12)	33 (0.84)	41 (1.04)
A-X-ADAD-B-442	0.5	0.5	30 (849)	418 (189)	10.1 (0.94)	44 (1.12)	33 (0.84)	52 (1.32)
A-X-ADAD-B-443	0.5	0.5	45 (1274)	462 (209)	10.1 (0.94)	44 (1.12)	33 (0.84)	46 (1.17)
A-X-ADAD-B-444	1.0	1.0	60 (1699)	490 (222)	10.1 (0.94)	44 (1.12)	33 (0.84)	54 (1.37)