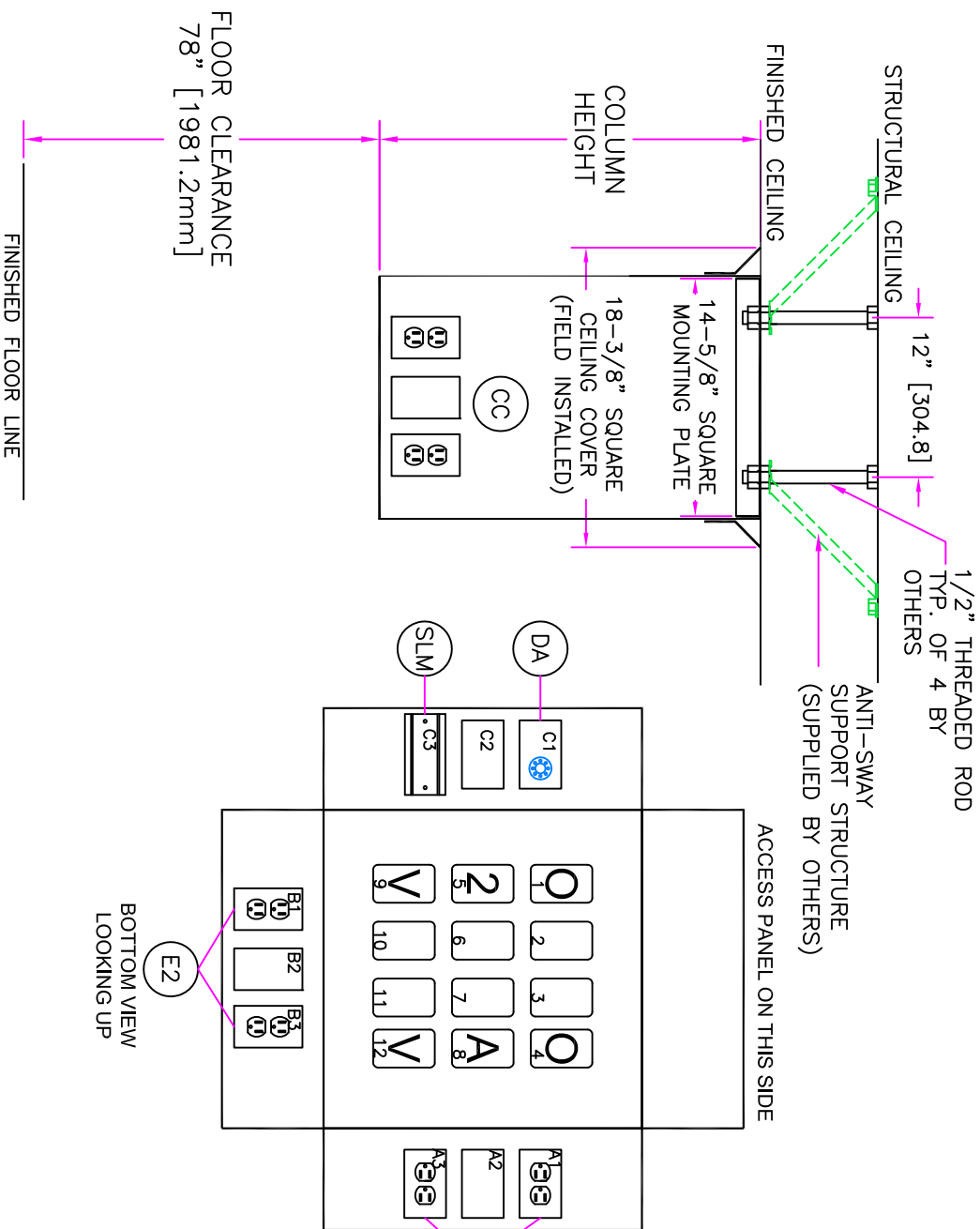


RIGID LITE CEILING COLUMN

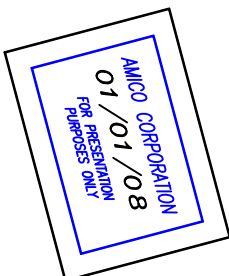
(M/N: C-COL-LITE)

DRAWING # 59



TYPE:
QUANTITY:

SYSTEM DETAILS		
SYMBOL	QTY.	DESCRIPTION
CC	1	CEILING COLUMN
O	2	GAS, OXYGEN
A	1	GAS, MED AIR
V	2	GAS, VACUUM
2	1	GAS, NITROUS OXIDE
E2	2	RECEPTACLE - DUPLEX RED
N2	2	RECEPTACLE - DUPLEX IVORY
DA	1	PROVISION - DATA 1G
SLM	1	VACUUM SLIDE, MOUNTED



IMPORTANT: PLEASE VERIFY THAT THE ABOVE INFORMATION IS CORRECT, AND PROVIDE THE REMAINING DETAILS.

APPROVAL - PRINT AND SIGNATURE _____

DATE _____

PHONE NO. _____

AMICO Corporation
 85 Fulton Hwy,
 Richmond Hill, Ontario
 L4B 2N4, CANADA
 Toll-Free: 1-877-462-6428 (T)
 Tel: (905) 764-0900
 Fax: (905) 764-0982
 www.amico.com

HOSPITAL	HOSPITAL	MODEL NO.:	DRWG. NO.
LOCATION	LOCATION	A. NURSE CALL MFGR.:	PRICEBOOK-63
QTY.	1	B. MEDICAL GAS MFGR.:	DRAWN BY:
		C. FINISH:	CHECKED BY:
		CEILING HEIGHT:	REV. NO.:
			DATE: